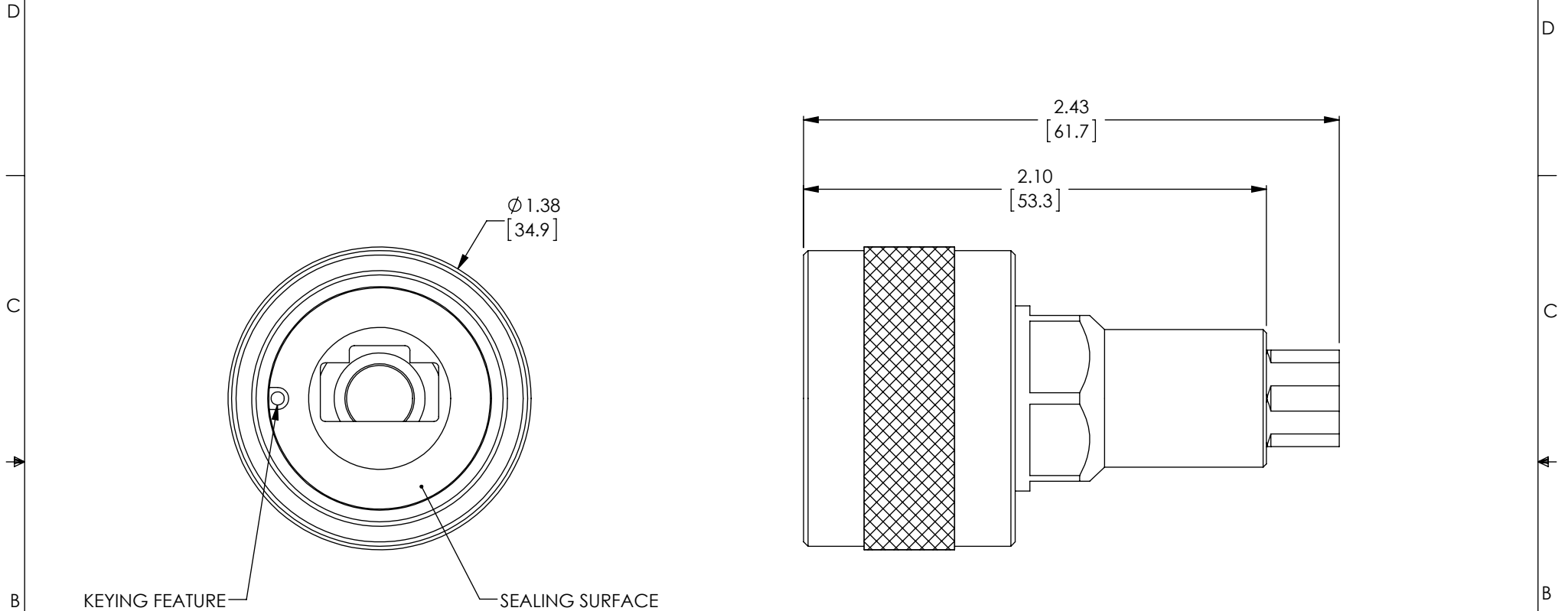


THE INFORMATION CONTAINED IN THIS DRAWING IS THE SOLE PROPERTY OF L-COM, INC. ANY REPRODUCTION IN PART OR WHOLE WITHOUT THE WRITTEN PERMISSION OF L-COM, INC. IS PROHIBITED.

RoHS Compliant ✓

REVISIONS			
REV	DESCRIPTION	DATE	APPROVED
A	INITIAL RELEASE	11/7/11	D.GRIFFIN
B	ECN 6379: UPDATE DRAWING LAYOUT. UPDATED NOTES	9/11/12	D. DESJARDIN



NOTES:

- CABLE SIZE: .190 / .270"
- MATERIALS AND FINISH:
EXTERNAL PARTS: ALUMINUM/BLACK ANODIZE
INTERNAL PARTS: ALUMINUM
MISC. HARDWARE: STAINLESS STEEL
SEAL: SILICONE
- RATING: IP-68
- ALL DIMENSIONS ARE FOR REFERENCE ONLY.
- COMPONENT SHALL BE INDIVIDUALLY PACKAGED IN ACCORDANCE WITH L-COM SPECIFICATION LSP-010-1

UNLESS OTHERWISE SPECIFIED, DIMENSIONS ARE IN INCHES [mm] OVERALL CABLE LENGTH TOLERANCE: $\le 12 [305] = +1 [25] / -0$ $>12 [305] \le 60 [1524] = +2 [51] / -0$ $>60 [1524] \le 120 [3048] = +4 [102] / -0$ $>120 [3048] \le 300 [7620] = +6 [152] / -0$ $>300 [7620] = +3\% / -0\%$ ALL OTHER DIMENSIONAL TOLERANCES: .X = $\pm .2</math>.XX = \pm .02</math>.XXX = \pm .005</math>$	APPROVALS	DATE		45 BEECHWOOD DRIVE NORTH ANDOVER, MA 01845
	DRAWN BY D. CASTRO	10/17/11		
ALL OTHER DIMENSIONAL TOLERANCES: .X = $\pm .2</math> .XX = \pm .02</math> .XXX = \pm .005</math> $	CHECKED BY D. PARHAM	10/17/11	CATEGORY TELECOM/MODULAR	
	APPROVED BY D. GUTTADAURO	10/17/11	PRODUCT DESCRIPTION PLUG ANOD .190-.270	
PROJECTION 	CONFIGURATION DETAILS OF UNDIMENSIONED FEATURES MAY VARY	COLOR VARIATIONS MAY OCCUR	SIZE A FSCM NO. 43321 DWG. NO. ECRA0211UA0	REV. B
			SCALE: NONE	CAD FILE: ECRA0211UA0.SLDDRW
			SHEET 1 OF 1	