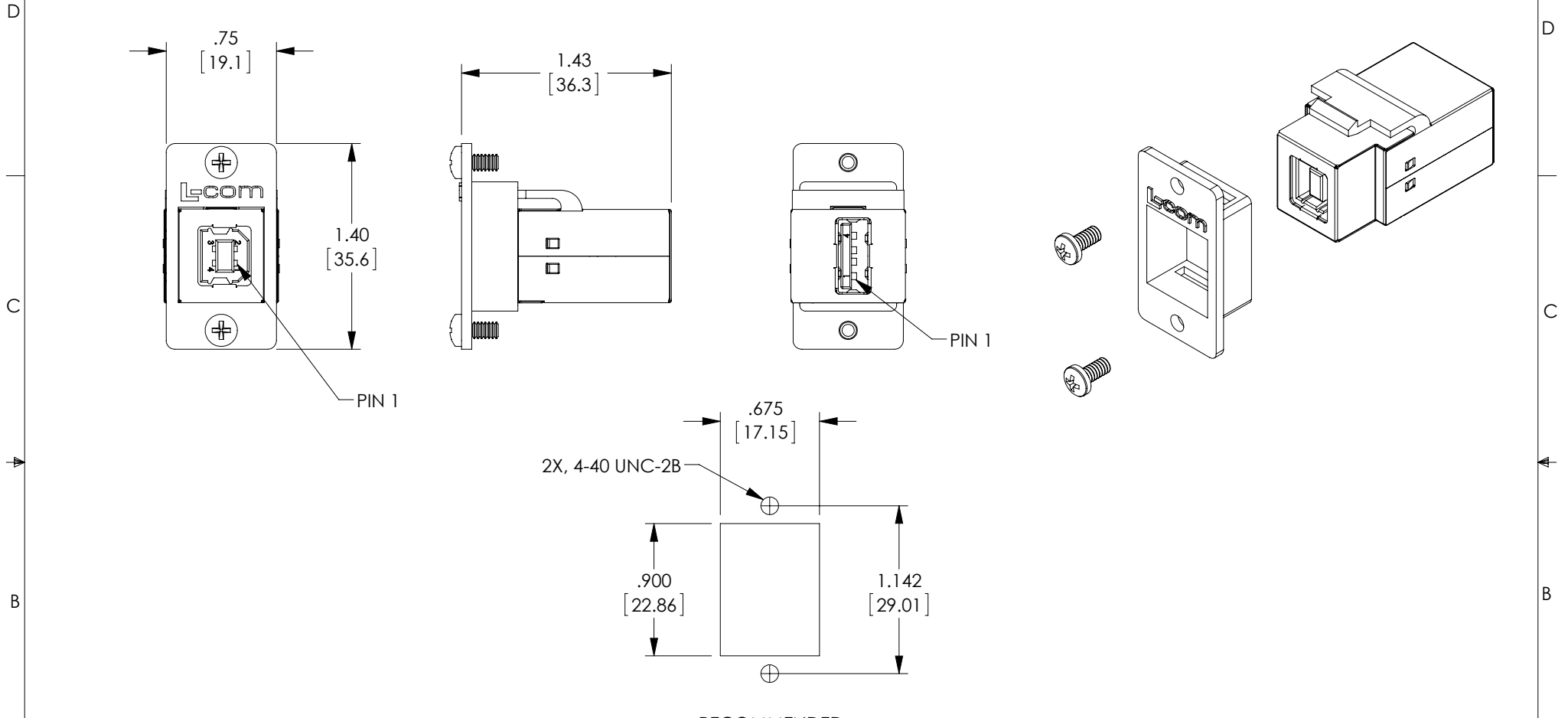


THE INFORMATION CONTAINED IN THIS DRAWING IS THE SOLE PROPERTY OF L-COM, INC. ANY REPRODUCTION IN PART OR WHOLE WITHOUT THE WRITTEN PERMISSION OF L-COM, INC. IS PROHIBITED.

REVISIONS			
REV	DESCRIPTION	DATE	APPROVED
A	INITIAL RELEASE	9/17/13	D.GRIFFIN



NOTES:

1. ALL DIMENSIONS ARE FOR REFERENCE ONLY.
2. KIT INCLUDES:
 1 USB 2.0 TYPE B-A FEMALE SHIELDED ADAPTER
 1-ZINC ALLOY ADAPTER FLANGE
 2-#4-40 UNC-2A x 1/4 LG PAN HEAD SST SCREW
3. ADAPTER KIT IS SHIPPED UN-ASSEMBLED AND SHALL BE PACKAGED IN ACCORDANCE WITH L-COM SPECIFICATION PS-0031.

REGULATORY COMPLIANCE:
 ROHS, CE

RECOMMENDED
 PANEL CUTOUT

UNLESS OTHERWISE SPECIFIED, DIMENSIONS ARE IN INCHES [mm] OVERALL CABLE LENGTH TOLERANCE: ≤12 [305] = +1 [25] / -0 >12 [305] ≤60 [1524] = +2 [51] / -0 >60 [1524] ≤120 [3048] = +4 [102] / -0 >120 [3048] ≤300 [7620] = +6 [152] / -0 >300 [7620] = +5% / -0% ALL OTHER DIMENSIONAL TOLERANCES: .X = ± .2 [5.08] .XX = ± .02 [51] .XXX = ±.005 [1.27]	APPROVALS DRAWN BY D.FRISIELLO	DATE 9/11/13		45 BEECHWOOD DRIVE NORTH ANDOVER, MA 01845		
	CHECKED BY D.DESJARDIN	9/11/13		CATEGORY USB		
APPROVED BY S.SMITH	9/11/13	PRODUCT DESCRIPTION ADPT USB B-A COUPLER KIT				
PROJECTION 	CONFIGURATION DETAILS OF UNDIMENSIONED FEATURES MAY VARY	COLOR VARIATIONS MAY OCCUR	SIZE A	FSCM NO. 43321	DWG. NO. ECF504-BA	REV. A
SCALE: NONE			CAD FILE: ECF504-BA.SLDDRW		SHEET 1 OF 1	