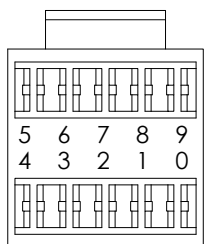
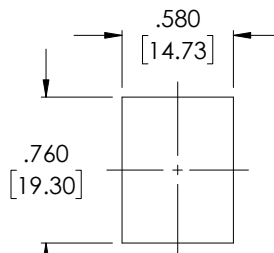
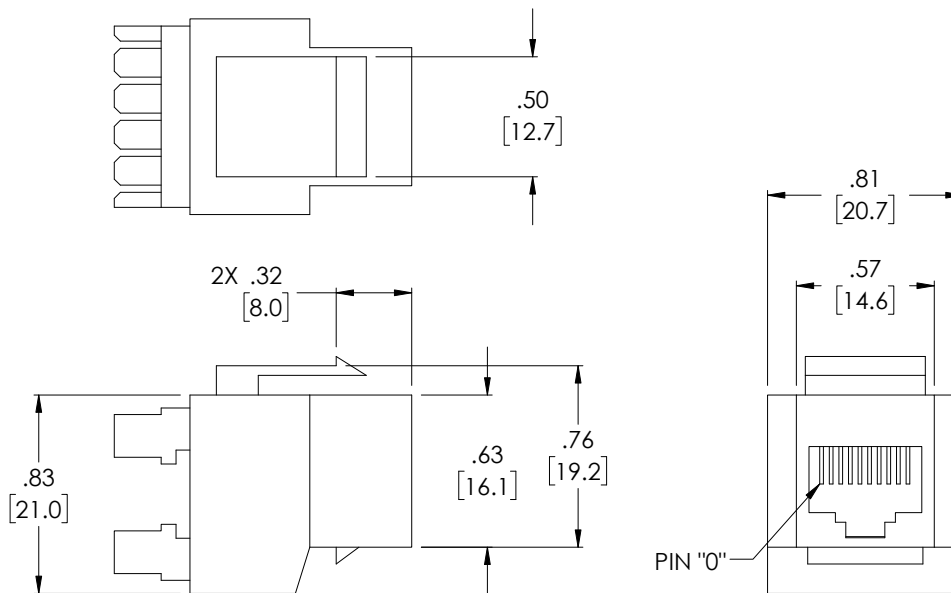


THE INFORMATION CONTAINED IN THIS DRAWING IS THE SOLE PROPERTY OF L-COM, INC. ANY REPRODUCTION IN PART OR WHOLE WITHOUT THE WRITTEN PERMISSION OF L-COM, INC. IS PROHIBITED.

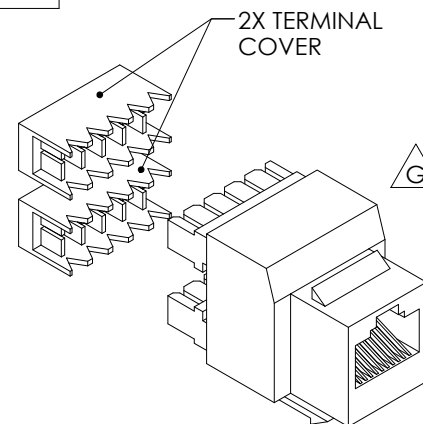
REVISIONS			
REV	DESCRIPTION	DATE	APPROVED
G	ECN 9434: REMOVED USOC FROM CONNECTOR BODY	09/21/2018	DFRISIELLO



USOC CONFIGURATION



RECOMMENDED PANEL OPENING



NOTES:

UL94V-0 COMPLIANT
USOC RATED

MATERIALS;
HOUSING: ABS
COLOR: BLACK
CONTACTS: PHOSPHOR BRONZE
CONTACT PLATING: 50 μINCHES GOLD

ELECTRICAL;
CURRENT RATING: 2 AMP MAX
VOLTAGE RATING: 140 VDC

ENVIRONMENTAL;
OPERATING TEMPERATURE RANGE: -20 TO 80°C

APPLICATION:
FEED THROUGH COUPLER
MAXIMUM PANEL THICKNESS: .06"

COMPONENT SHALL BE INDIVIDUALLY PACKAGED IN ACCORDANCE WITH L-COM SPECIFICATION PS-0031.

ALL DIMENSIONS ARE FOR REFERENCE ONLY.

REGULATORY COMPLIANCE:
CE2011/65/EU (RoHS DIRECTIVE)

UNLESS OTHERWISE SPECIFIED, DIMENSIONS ARE IN INCHES [mm] OVERALL CABLE LENGTH TOLERANCE: ≤12 [305] = +1 [25] / -0 >12 [305] ≤60 [1524] = +2 [51] / -0 >60 [1524] ≤120 [3048] = +4 [102] / -0 >120 [3048] ≤300 [7620] = +6 [152] / -0 >300 [7620] = +5% / -0%	APPROVALS	DATE		50 HIGH STREET NORTH ANDOVER, MA 01845
	DRAWN BY C.MCCORMICK CHECKED BY D. PARHAM APPROVED BY R.CARRICK	02/05/2002		02/05/2002
ALL OTHER DIMENSIONAL TOLERANCES: .X = ± .2 [5.08] .XX = ± .02 [1.51] .XXX = ±.005 [1.13]	CONFIGURATION DETAILS OF UNDIMENSIONED FEATURES MAY VARY		CATEGORY	TELECOM/MODULAR
PROJECTION	COLOR VARIATIONS MAY OCCUR	SIZE A	CAGE CODE 43321	DWG. NO. EC1107B-USOC
		SCALE: NONE	CAD FILE: EC1107B-USOC.SLDDRW	REV. G
				SHEET 1 OF 1