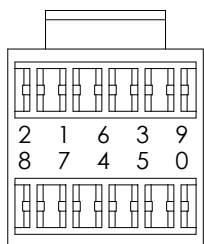
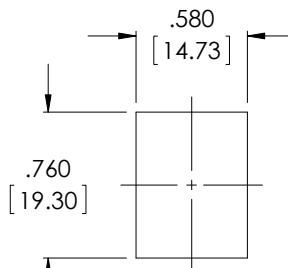
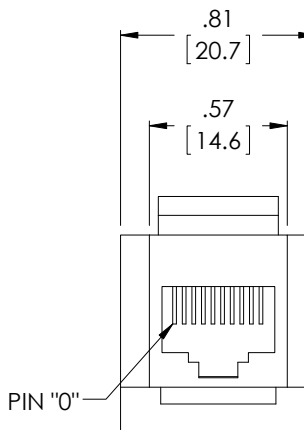
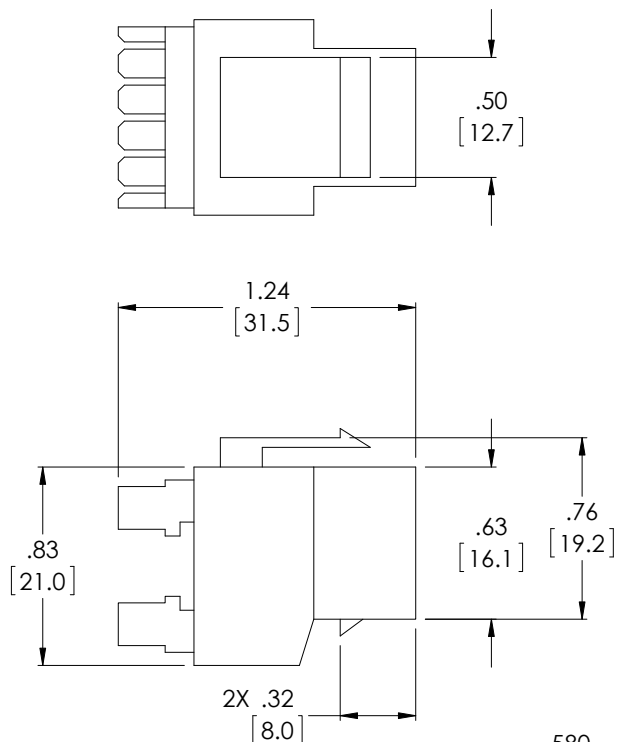


THE INFORMATION CONTAINED IN THIS DRAWING IS THE SOLE PROPERTY OF L-COM, INC. ANY REPRODUCTION IN PART OR WHOLE WITHOUT THE WRITTEN PERMISSION OF L-COM, INC. IS PROHIBITED.

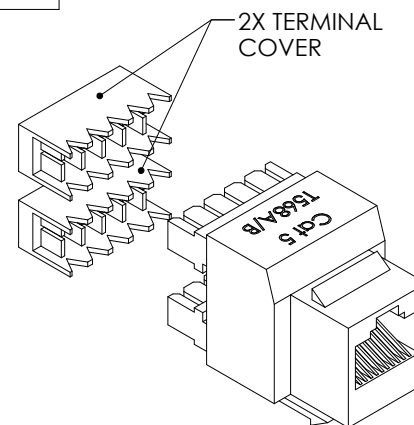
REVISIONS			
REV	DESCRIPTION	DATE	APPROVED
G	ECN 6881: UPDATED DWG FORMAT AND PKG. REVISED PANEL OPENING	6/10/13	D. DESJARDIN



USOC CONFIGURATION



RECOMMENDED PANEL OPENING



2X TERMINAL COVER

**NOTES:**

UL94V-0 COMPLIANT  
CATEGORY 5 RATED

**MATERIALS:**  
HOUSING: ABS  
COLOR: BLACK  
CONTACTS: PHOSPHOR BRONZE  
CONTACT PLATING: 50 μ INCHES GOLD

**ELECTRICAL:**  
CURRENT RATING: 2 AMP MAX  
VOLTAGE RATING: 140 VDC

**ENVIRONMENTAL:**  
OPERATING TEMPERATURE RANGE: -20 TO 80°C

**APPLICATION:**  
FEED THROUGH COUPLER  
MAXIMUM PANEL THICKNESS: .06"

COMPONENT SHALL BE INDIVIDUALLY PACKAGED IN ACCORDANCE WITH L-COM SPECIFICATION PS-0031.

ALL DIMENSIONS ARE FOR REFERENCE ONLY.

**REGULATORY COMPLIANCE:**  
ROHS, CE

UNLESS OTHERWISE SPECIFIED, DIMENSIONS ARE IN INCHES [mm] OVERALL CABLE LENGTH TOLERANCE: ≤12 [305] = +1 [25] / -0 >12 [305] ≤60 [1524] = +2 [51] / -0 >60 [1524] ≤120 [3048] = +4 [102] / -0 >120 [3048] ≤300 [7620] = +6 [152] / -0 >300 [7620] = +5% / -0%  ALL OTHER DIMENSIONAL TOLERANCES: .X = ±.2 [5.08] .XX = ±.02 [51] .XXX = ±.005 [1.27]	<b>APPROVALS</b> DRAWN BY C.MCCORMICK CHECKED BY D. PARHAM APPROVED BY R.CARRICK	<b>DATE</b> 2/5/02 2/5/02 2/5/02	 45 BEECHWOOD DRIVE NORTH ANDOVER, MA 01845			
	<b>CATEGORY</b> TELECOM/MODULAR			<b>PRODUCT DESCRIPTION</b> KEYSTONE CAT 5 10P10C IDC JK		
	<b>PROJECTION</b> 	<b>COLOR VARIATIONS</b> MAY OCCUR	<b>SIZE</b> A		<b>FSCM NO.</b> 43321	<b>DWG. NO.</b> EC1107B-10C5
	SCALE: NONE		CAD FILE: EC1107B-10C5.SLDDRW		SHEET 1 OF 1	