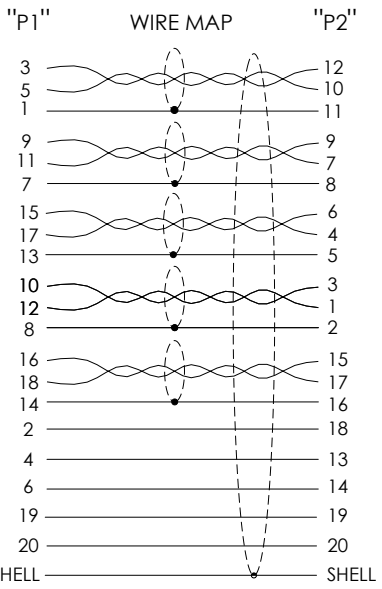
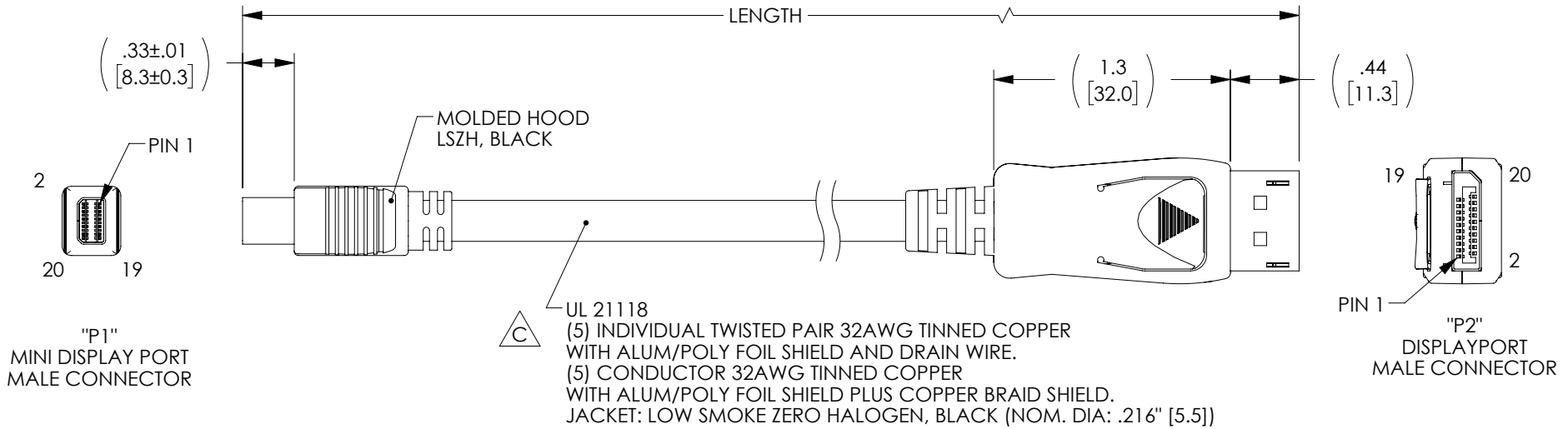


THE INFORMATION CONTAINED IN THIS DRAWING IS THE SOLE PROPERTY OF L-COM, INC. ANY REPRODUCTION IN PART OR WHOLE WITHOUT THE WRITTEN PERMISSION OF L-COM, INC. IS PROHIBITED.

REVISIONS			
REV	DESCRIPTION	DATE	APPROVED
A	INITIAL RELEASE	06/07/2018	BGATES
B	ECN 9435: REVISED CBL TO UL21118, ELECT. NOTES, NOTE 2 AND WIRE MAP	09/24/2018	BGATES
C	ECN 9856: REVISED CONSTRUCTION OF CABLE AND 30AWG TO 32AWG	05/13/2019	BGATES



**NOTES:**

- ELECTRICAL:**  
 VOLTAGE RATING: DC 300V 10MS  
 INSULATION RESISTANCE: 10.0M OHM/MIN.  
 CONDUCTOR RESISTANCE: 2.0 OHM/MAX.
1. ALL CONNECTORS ACCOMPANIED WITH A DUST CAP INSTALLED (NOT SHOWN).
  2. "P1" HAS 360° COPPER FOIL SHIELDING SOLDERED 360° TO BRAID SHIELD AND TO THE SHELL.
  3. CABLE ASSEMBLY SHALL BE TESTED FOR CONTINUITY.
  4. CABLE ASSEMBLY SHALL BE INDIVIDUALLY PACKAGED IN ACCORDANCE WITH L-COM SPECIFICATION PS-0031.

**REGULATORY COMPLIANCE:**  
 CE2011/65/EU (RoHS DIRECTIVE)  
 UL CERTIFIED

MODEL NUMBER	LENGTH METERS [FEET]	TOLERANCE mm [INCHES]
DPA00007-05M	0.5 [1.64]	+25.0/-0 [+1.0/-0]
DPA00007-1M	1.0 [3.28]	+51.0/-0 [+2.0/-0]
DPA00007-2M	2.0 [6.56]	+51.0/-0 [+2.0/-0]
DPA00007-3M	3.0 [9.84]	+102.0/-0 [+4.0/-0]

UNLESS OTHERWISE SPECIFIED, DIMENSIONS ARE IN INCHES [mm] OVERALL CABLE LENGTH TOLERANCE: ≤12 [305] = +1 [25] / -0 >12 [305] ≤60 [1524] = +2 [51] / -0 >60 [1524] ≤120 [3048] = +4 [102] / -0 >120 [3048] ≤300 [7620] = +6 [152] / -0 >300 [7620] = +5% / -0% ALL OTHER DIMENSIONAL TOLERANCES: .X = ± .2 [5.08] .XX = ± .02 [5.1] .XXX = ±.005 [1.3]	APPROVALS DRAWN BY DFRISIELLO CHECKED BY BGATES APPROVED BY BGATES	DATE 05/17/2018 06/07/2018 06/07/2018	L-com Global Connectivity 50 HIGH STREET NORTH ANDOVER, MA 01845	
	CONFIGURATION DETAILS OF UNDIMENSIONED FEATURES MAY VARY		CATEGORY AUDIO/VIDEO	
	COLOR VARIATIONS MAY OCCUR		PRODUCT DESCRIPTION DP TO MINI DP LSZH CABLE	
	PROJECTION 	SIZE <b>A</b>	FSCM NO. <b>43321</b>	DWG. NO. DPA00007

SCALE: NONE CAD FILE: DPA00007.SLDDRW SHEET 1 OF 1