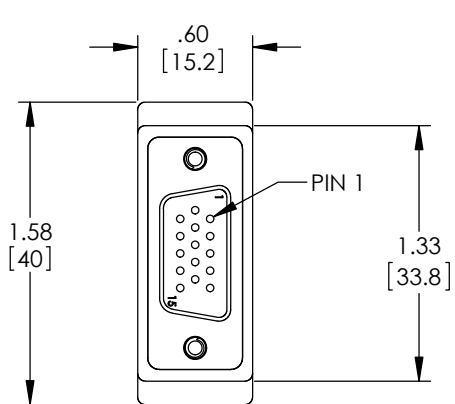
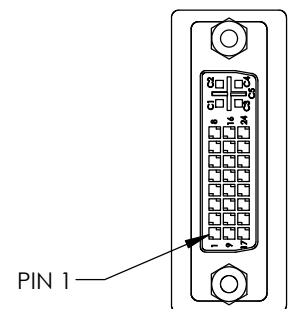
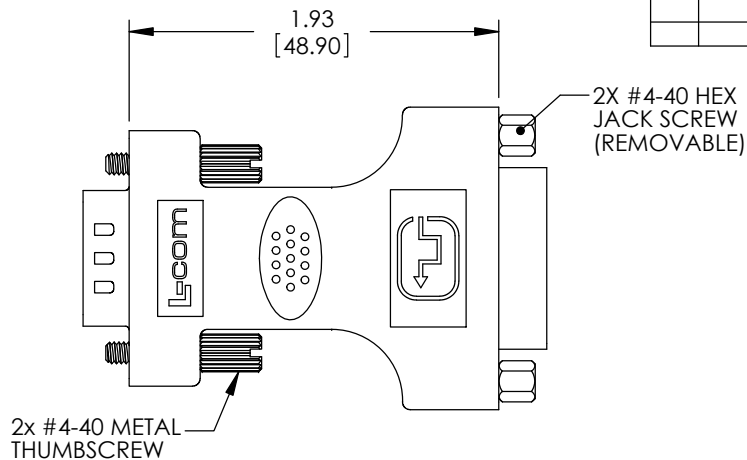


THE INFORMATION CONTAINED IN THIS DRAWING IS THE SOLE PROPERTY OF L-COM, INC. ANY REPRODUCTION IN PART OR WHOLE WITHOUT THE WRITTEN PERMISSION OF L-COM, INC. IS PROHIBITED.

REVISIONS			
REV	DESCRIPTION	DATE	APPROVED
C	ECN 6244: CN RELEASE, NEW FORMAT	6/26/12	D.FRISIELLO
D	ECN 6304: ADDED TOLERANCE TO SCREW PROTRUSION	7/26/12	D.FRISIELLO

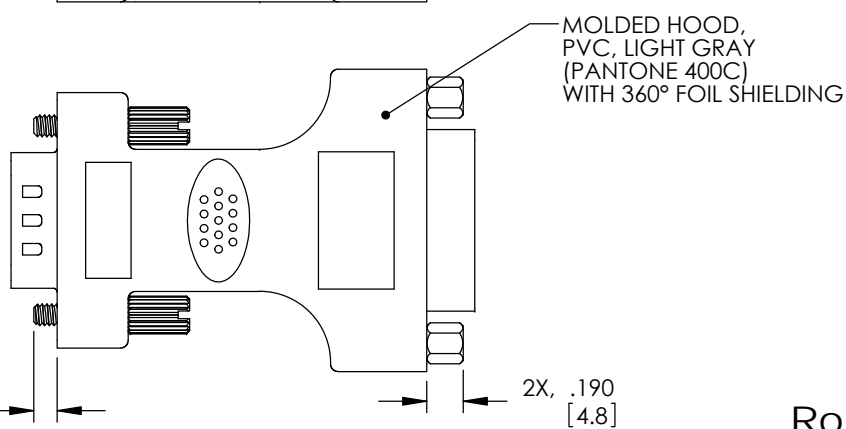
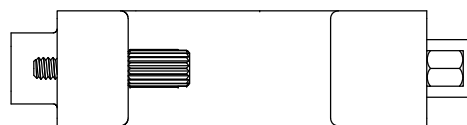


"P1"
15-PIN MALE
HIGH DENSITY
D-SUB CONNECTOR



"J1"
FEMALE DVI-A
CONNECTOR

WIRING TABLE	
"P1"	"J1"
1	C1
2	C2
3	C3
13	C4
6, 7, 8	C5
15	6
12	7
14	8
9	14, 16
5, 10	15
SHELL	SHELL



Δ
2X .122^{+0.010}
 ^{-0.018}
[3.1^{+0.25}
 ^{-0.45}]

NOTES:

- ADAPTOR IS SHIPPED WITH DUST COVERS ASSEMBLED (NOT SHOWN).
- ADAPTOR SHALL BE TESTED FOR CONTINUITY.
- ADAPTOR SHALL BE INDIVIDUALLY PACKAGED IN ACCORDANCE WITH L-COM SPEC. PS-0031.

UNLESS OTHERWISE SPECIFIED, DIMENSIONS ARE IN INCHES [mm] OVERALL CABLE LENGTH TOLERANCE: ≤12 [305] = +1 [25] / -0 >12 [305] ≤60 [1524] = +2 [51] / -0 >60 [1524] ≤120 [3048] = +4 [102] / -0 >120 [3048] ≤300 [7620] = +6 [152] / -0 >300 [7620] = +3% / -0%	APPROVALS	DATE		45 BEECHWOOD DRIVE NORTH ANDOVER, MA 01845
	DRAWN BY TJC	4/6/02		CATEGORY
ALL OTHER DIMENSIONAL TOLERANCES: .X = ±.2 .XX = ±.02 .XXX = ±.005	CHECKED BY DFP	4/12/02	PRODUCT DESCRIPTION	
	APPROVED BY CM	4/15/02	ADAPTOR DVI-A FEMALE/HD15M	
PROJECTION 	CONFIGURATION DETAILS OF UNDIMENSIONED FEATURES MAY VARY	COLOR VARIATIONS MAY OCCUR	SIZE A	FSCM NO. 43321
SCALE: NONE		CAD FILE: DMB602FM.SLDRW	DWG. NO. DMB602FM	REV. D
SHEET 1 OF 1				

RoHS Compliant ✓