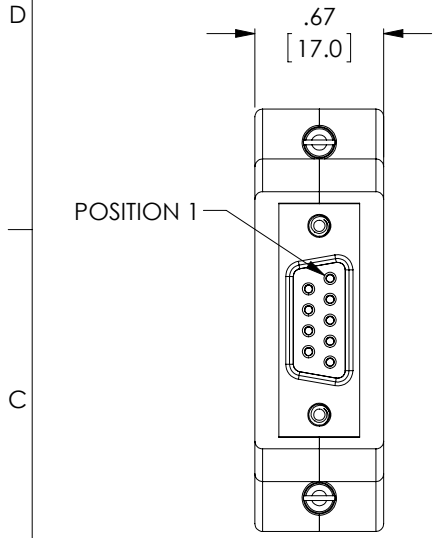


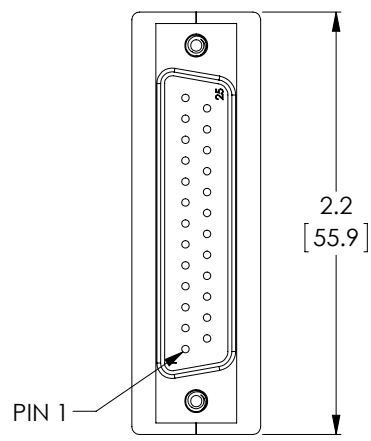
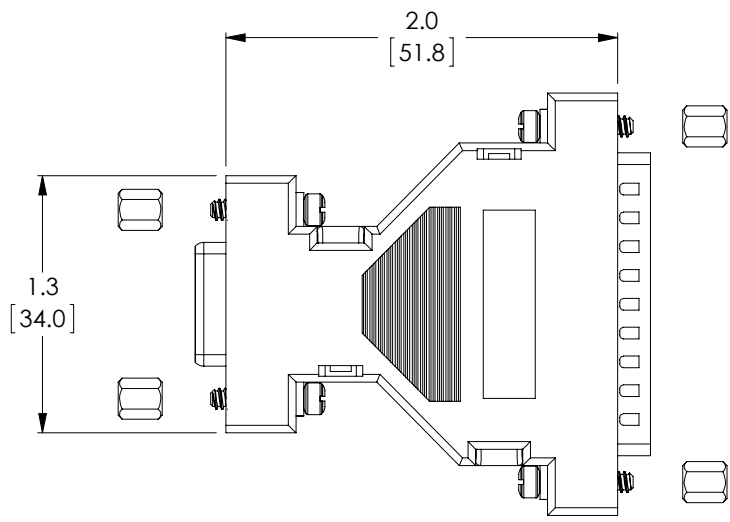
THE INFORMATION CONTAINED IN THIS DRAWING IS THE SOLE PROPERTY OF L-COM, INC. ANY REPRODUCTION IN PART OR WHOLE WITHOUT THE WRITTEN PERMISSION OF L-COM, INC. IS PROHIBITED.

RoHS Compliant ✓

REVISIONS			
REV	DESCRIPTION	DATE	APPROVED
A	INITIAL RELEASE	8/2/12	D.GRIFFIN



"J1"
FEMALE 9 PIN
D-SUB CONNECTOR



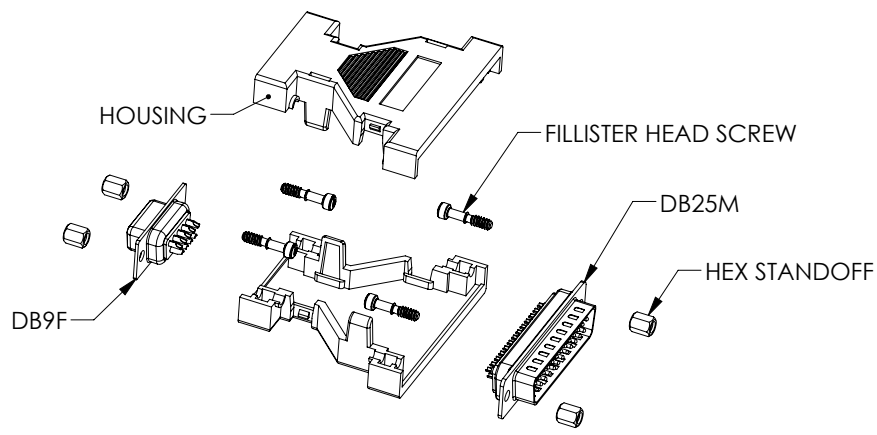
"P1"
MALE 25 PIN
D-SUB CONNECTOR

NOTE
MATERIAL
 HOUSING: THERMOPLASTIC
 CONNECTOR SHELL: COLD ROLLED STEEL
 INSULATOR: THERMOPLASTIC. UL94V-0 RATED
 CONTACTS: COPPER ALLOY
 HARDWARE: STEEL OR BRASS

FINISH:
 CONTACTS: GOLD PLATED
 SHELL: TIN FINISH
 HARDWARE: NICKEL PLATED

MISCELLANEOUS:
KIT CONTAINS:
 1- THERMOPLASTIC HOUSING
 1- 25 PIN, MALE D-SUB CONNECTOR (SOLDER CUP)
 1- 9 PIN, FEMALE D-SUB CONNECTOR (SOLDER CUP)
 4- 4-40UNC-2A SCREWS
 4- 4-40UNC-2B HEX STANDOFFS

ALL DIMENSIONS ARE FOR REFERENCE ONLY



UNLESS OTHERWISE SPECIFIED, DIMENSIONS ARE IN INCHES [mm] OVERALL CABLE LENGTH TOLERANCE: ≤12 [305] = +1 [25] / -0 >12 [305] ≤60 [1524] = +2 [51] / -0 >60 [1524] ≤120 [3048] = +4 [102] / -0 >120 [3048] ≤300 [7620] = +6 [152] / -0 >300 [7620] = +3% / -0% ALL OTHER DIMENSIONAL TOLERANCES: .X = ±.2 .XX = ±.02 .XXX = ±.005	APPROVALS DRAWN BY D. DESJARDIN CHECKED BY D. PARHAM APPROVED BY S. SMITH	DATE 8/1/12 8/1/12 8/1/12	45 BEECHWOOD DRIVE NORTH ANDOVER, MA 01845		
	CONFIGURATION DETAILS OF UNDIMENSIONED FEATURES MAY VARY			CATEGORY DATA	
PROJECTION 	COLOR VARIATIONS MAY OCCUR	SIZE A	FSCM NO. 43321	DWG. NO. DIY259MF	REV. A
SCALE: NONE		CAD FILE: DIY259MF.SLDDRW		SHEET 1 OF 1	