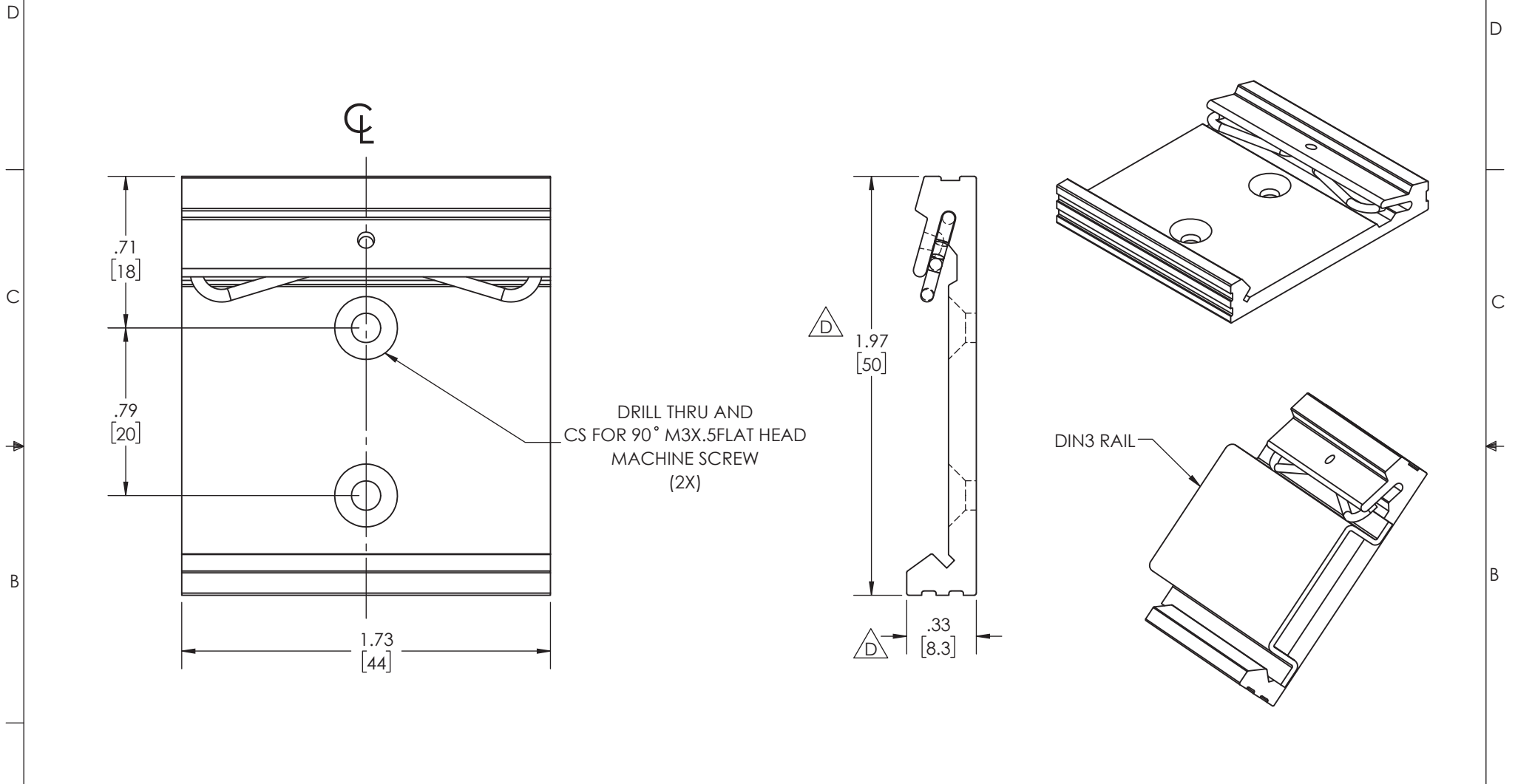


THE INFORMATION CONTAINED IN THIS DRAWING IS THE SOLE PROPERTY OF L-COM, INC. ANY REPRODUCTION IN PART OR WHOLE WITHOUT THE WRITTEN PERMISSION OF L-COM, INC. IS PROHIBITED.

REVISIONS			
REV	DESCRIPTION	DATE	APPROVED
A	INITIAL RELEASE	07/11/11	B.PUCHASKI
B	CHANGED FINISH BLACK PWDCOAT TO SILVER SB OX (ECN#5662)	08/11/11	B.PUCHASKI
C	ECN 8362 CHANGE THREAD 3M X .05 TO M3 X .5	06/16/16	B.PUCHASKI
D	ECN 9550: REVISED MODEL and DIM. AS PER 1AY06-083 DRAWING SPEC	01/28/2019	D.REBECK



NOTES:
 MATERIAL: ALUMINUM EXTRUSION
 FINISH: SILVER SAND BLASTING OXIDATION
 PACKAGING:
 COMPONENT SHALL BE PACKAGED IN ACCORDANCE WITH L-COM SPEC PKG-00012.
 - ALL DIMENSIONS FOR REFERENCE ONLY -

UNLESS OTHERWISE SPECIFIED, DIMENSIONS ARE IN INCHES [mm] DIMENSIONAL TOLERANCES: .X = ±.1 [2.54] .XX = ±.01 [.25] .XXX = ±.005 [.13] ANGULAR TOLERANCES: ALL = ± 1°	APPROVALS DRAWN BY B.PUCHASKI	DATE 05/10/11		50 HIGH STREET NORTH ANDOVER, MA 01845		
	CHECKED BY P.PESA	05/10/11		CATEGORY LIGHTNING PROTECTORS		
	APPROVED BY P.PESA	05/10/11	PRODUCT DESCRIPTION DIN3 RAIL MOUNT CLIP 44			
PROJECTION 	CONFIGURATION DETAILS OF UNDIMENSIONED FEATURES MAY VARY	COLOR VARIATIONS MAY OCCUR	SIZE A	FSCM NO. 43321	DWG. NO. DIN-MNT44	REV. D
			SCALE: NONE	CAD FILE: DIN-MNT44.SLDRW	SHEET 1 OF 1	