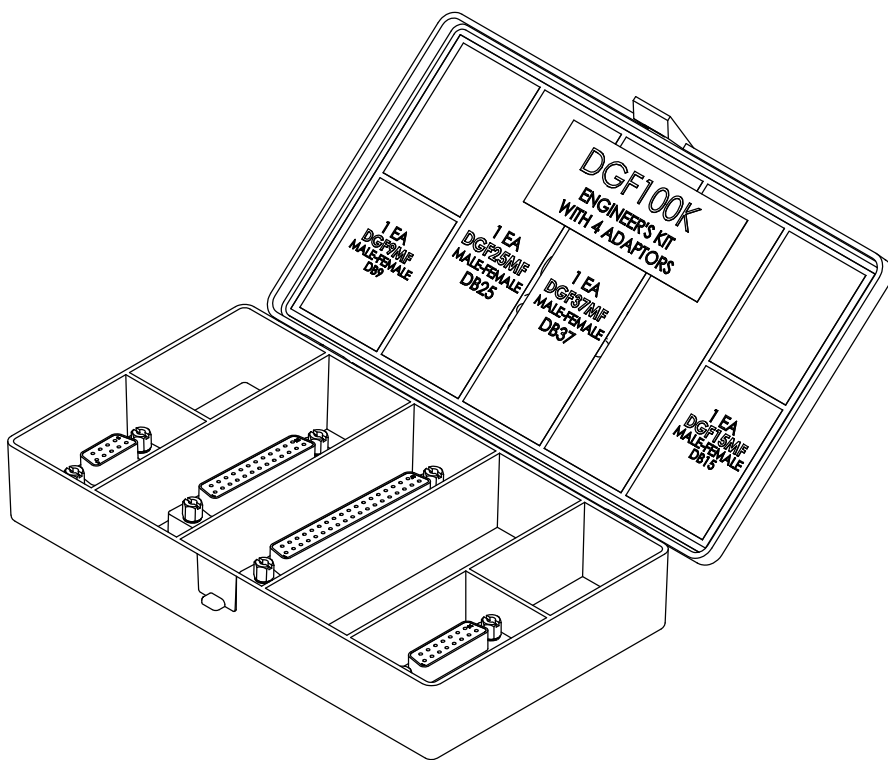
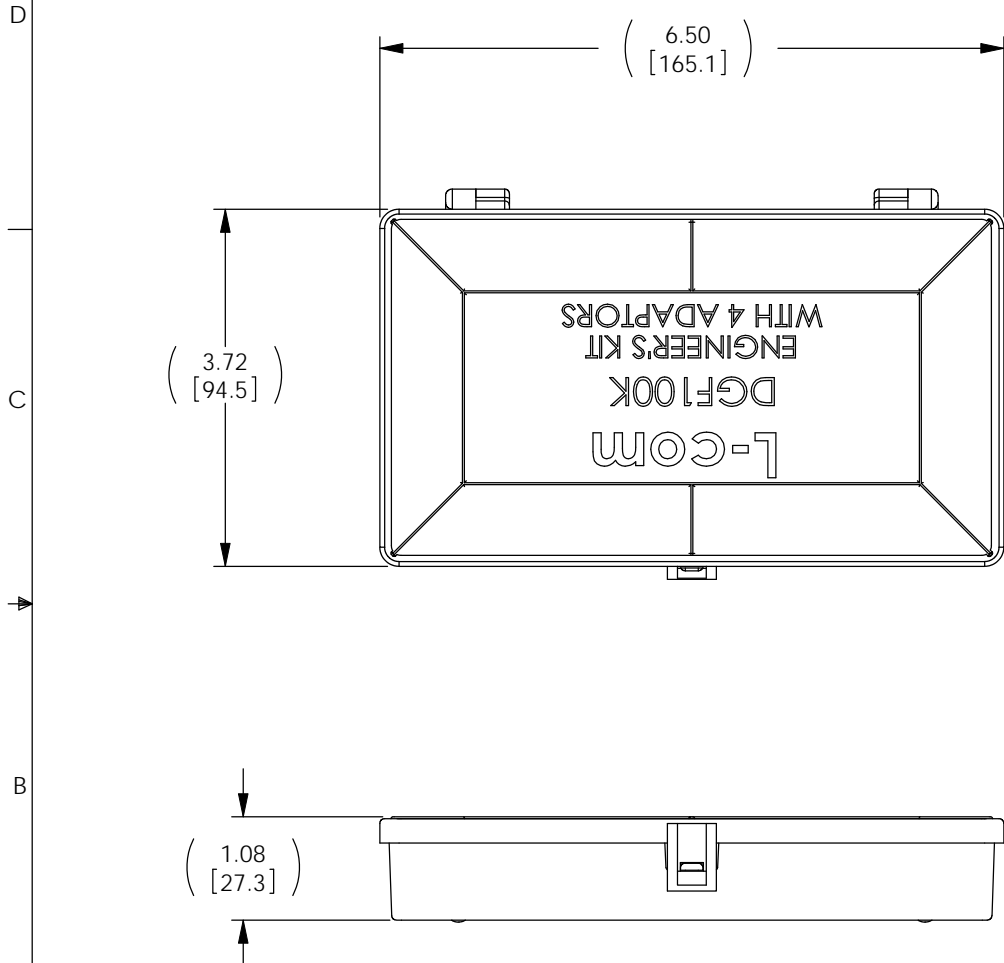


THE INFORMATION CONTAINED IN THIS DRAWING IS THE SOLE PROPERTY OF L-COM, INC. ANY REPRODUCTION IN PART OR WHOLE WITHOUT THE WRITTEN PERMISSION OF L-COM, INC. IS PROHIBITED.

REVISIONS			
REV	DESCRIPTION	DATE	APPROVED
-	APPROVED FOR PRODUCTION BY ZIG WORONKO	3/19/99	BJD
A	ADDED LABEL (DGF100K-LABEL)	7/13/99	BJD
A	ECN 99999: REDRAWN FOR MAC 99-031730	9/1/09	D.FRISIELLO



NOTES:

THE KIT CONTAINS ONE (1) EACH OF THE FOLLOWING:

- DGF9MF
- DGF15MF
- DGF25MF
- DGF37MF

ALL COMPONENTS MEET ROHS COMPLIANCY.

UNLESS OTHERWISE SPECIFIED, DIMENSIONS ARE IN INCHES [mm] DIMENSIONAL TOLERANCES: .X = ±.1 .XX = ±.01 .XXX = ±.005 ANGULAR TOLERANCES: ALL = ± 1° PROJECTION 	APPROVALS	DATE		45 BEECHWOOD DRIVE NORTH ANDOVER, MA 01845	
	DRAWN BY D.FRISIELLO	9/1/09			
	CHECKED BY M.MARTINEZ	9/1/09	CATEGORY	D-SUB	
	APPROVED BY S.SMITH	9/1/09	PRODUCT DESCRIPTION	ADAPTER, KIT FERRITE FILTER 4 PC	
	CONFIGURATION DETAILS OF UNDIMENSIONED FEATURES MAY VARY	SIZE A	FSCM NO. 43321	DWG. NO. DGF100K	REV. A
	COLOR VARIATIONS MAY OCCUR	SCALE: NONE	CAD FILE: DGF100K.SLDDRW	SHEET 1 OF 1	