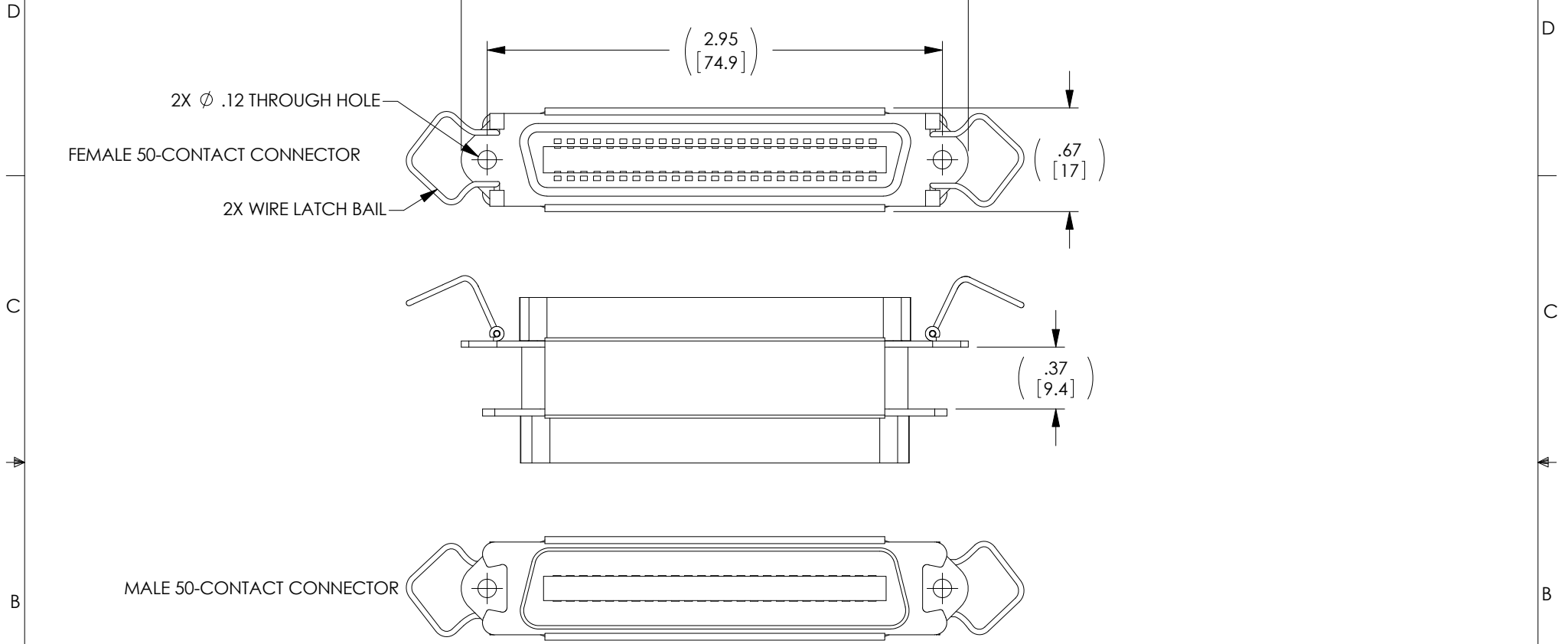


THE INFORMATION CONTAINED IN THIS DRAWING IS THE SOLE PROPERTY OF L-COM, INC. ANY REPRODUCTION IN PART OR WHOLE WITHOUT THE WRITTEN PERMISSION OF L-COM, INC. IS PROHIBITED.

REVISIONS			
REV	DESCRIPTION	DATE	APPROVED
A	DRAWING REPLACES DGC50MF-OD1	9/18/14	D.FRISIELLO



NOTES:

1. SOCKET SAVER HAS ONE MALE AND ONE FEMALE 50-CONTACT MICRO-RIBBON CONNECTOR WIRED STRAIGHT THROUGH.
2. STEEL HOUSING PROVIDES COMPLETE 360° SHIELDING.
3. INSULATOR MATERIAL: GLASS-FILLED PBT, BLUE.
4. CONTACT MATING SURFACES: GOLD-PLATED.
5. ADAPTER SHALL BE TESTED FOR CONTINUITY.
6. ADAPTER SHALL BE INDIVIDUALLY PACKAGED IN ACCORDANCE WITH L-COM SPECIFICATION PS-0031.

REGULATORY COMPLIANCE:
CE2011/65/EU(RoHS DIRECTIVE)

UNLESS OTHERWISE SPECIFIED, DIMENSIONS ARE IN INCHES [mm] OVERALL CABLE LENGTH TOLERANCE: ≤12 [305] = +1 [25] / -0 >12 [305] ≤60 [1524] = +2 [51] / -0 >60 [1524] ≤120 [3048] = +4 [102] / -0 >120 [3048] ≤300 [7620] = +6 [152] / -0 >300 [7620] = +5% / -0% ALL OTHER DIMENSIONAL TOLERANCES: .X = ± .2 [5.08] .XX = ± .02 [51] .XXX = ±.005 [1.27]	APPROVALS T CLARK CHECKED BY D PARHAM APPROVED BY C MCCORMICK	DATE 12/31/2001 12/31/2001 12/31/2001	45 BEECHWOOD DRIVE NORTH ANDOVER, MA 01845
	CONFIGURATION DETAILS OF UNDIMENSIONED FEATURES MAY VARY		CATEGORY HETEROGENEOUS
	PROJECTION 		PRODUCT DESCRIPTION ADPT, SKT SAVER SCSI 50 M/F
	COLOR VARIATIONS MAY OCCUR	SIZE A	FSCM NO. 43321
SCALE: NONE		CAD FILE: DGC50MF.SLDDRW	SHEET 1 OF 1