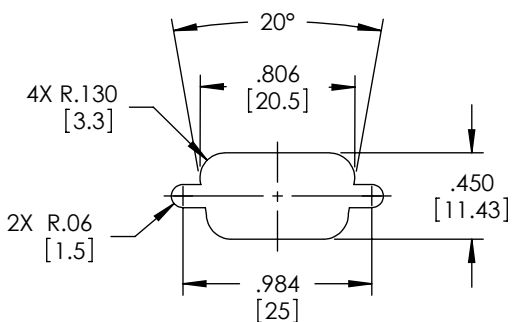
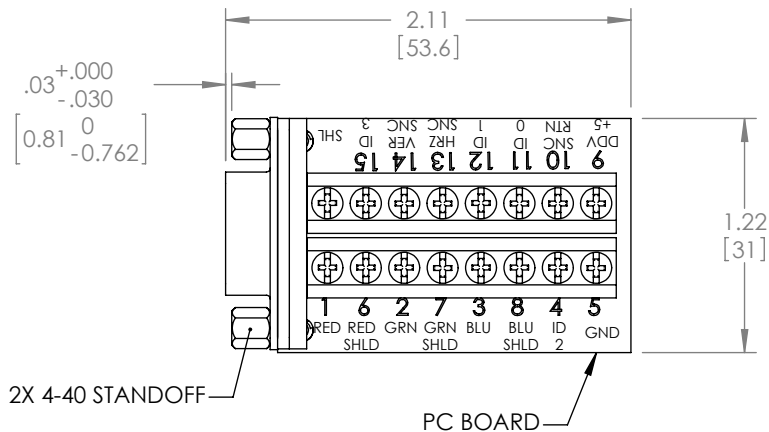
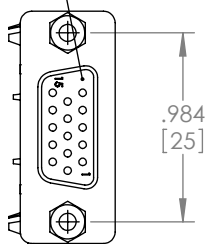


THE INFORMATION CONTAINED IN THIS DRAWING IS THE SOLE PROPERTY OF L-COM, INC. ANY REPRODUCTION IN PART OR WHOLE WITHOUT THE WRITTEN PERMISSION OF L-COM, INC. IS PROHIBITED.

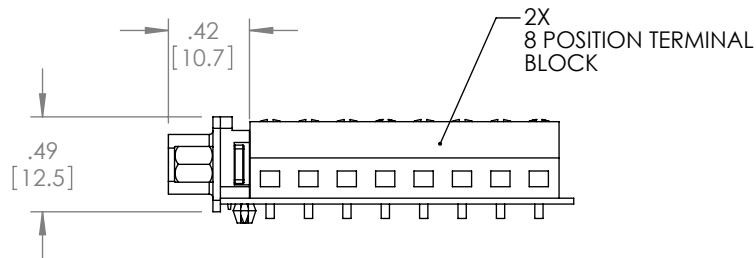
REVISIONS			
REV	DESCRIPTION	DATE	APPROVED
E	ECN 5463: ADDED PANEL CUTOUT	4/26/11	D. CASTRO
-	-	-	-
-	-	-	-
-	-	-	-

SVGA PINOUT TABLE		
PIN	SIGNAL	WIRE
1	RED	COAX CC
2	GREEN	COAX CC
3	BLUE	COAX CC
4	ID BIT 2	TP 1
5	GROUND	TP1
6	RED SHIELD	COAX SHLD
7	GREEN SHIELD	COAX SHLD
8	BLUE SHIELD	COAX SHLD
9	DDV +5V	COND 1
10	SYNC RTN	TP 3/4
11	ID BIT 0	TP 2
12	ID BIT 1	TP 2
13	HORZ SYNC	COND 2
14	VER SYNC	TP 3
15	ID BIT 3	TP 4
16	SHELL	DRAIN WIRE

FEMALE 15 CONTACT HIGH DENSITY D-SUB CONNECTOR



RECOMMENDED PANEL OPENING (MAX PANEL THICKNESS: 0.06")



RoHS Compliant ✓

NOTES:

VOLTAGE RATING: 1000V AC & 600V DC.
CURRENT RATING: 3 AMPS

INSTALLATION INSTRUCTIONS (DGBH15FT-INS) PACKAGED WITH CONNECTOR.

COMPONENT ASSEMBLY SHALL BE INDIVIDUALLY PACKAGED IN ACCORDANCE WITH L-COM SPECIFICATION PS-0031.

UNLESS OTHERWISE SPECIFIED, DIMENSIONS ARE IN INCHES [mm] OVERALL CABLE LENGTH TOLERANCE: ≤12 [305] = +1 [25] / -0 >12 [305] ≤60 [1524] = +2 [51] / -0 >60 [1524] ≤120 [3048] = +4 [102] / -0 >120 [3048] ≤300 [7620] = +6 [152] / -0 >300 [7620] = +3% / -0%	APPROVALS	DATE		45 BEECHWOOD DRIVE NORTH ANDOVER, MA 01845
	DRAWN BY P LECLAIR	11/11/2002		CATEGORY
ALL OTHER DIMENSIONAL TOLERANCES: .X = ±.2 .XX = ±.02 .XXX = ±.005	CHECKED BY C MCCORMICK	11/10/2002	PRODUCT DESCRIPTION	
PROJECTION	APPROVED BY R CARRICK	11/12/2002	FIELD INSTALLABLE DGBHD15	
	CONFIGURATION DETAILS OF UNDIMENSIONED FEATURES MAY VARY	COLOR VARIATIONS MAY OCCUR	SIZE A	FSCM NO. 43321
			DWG. NO. DGBH15FT	REV. E
			SCALE: NONE	CAD FILE: DGBH15FT.SLDDRW
				SHEET 1 OF 1