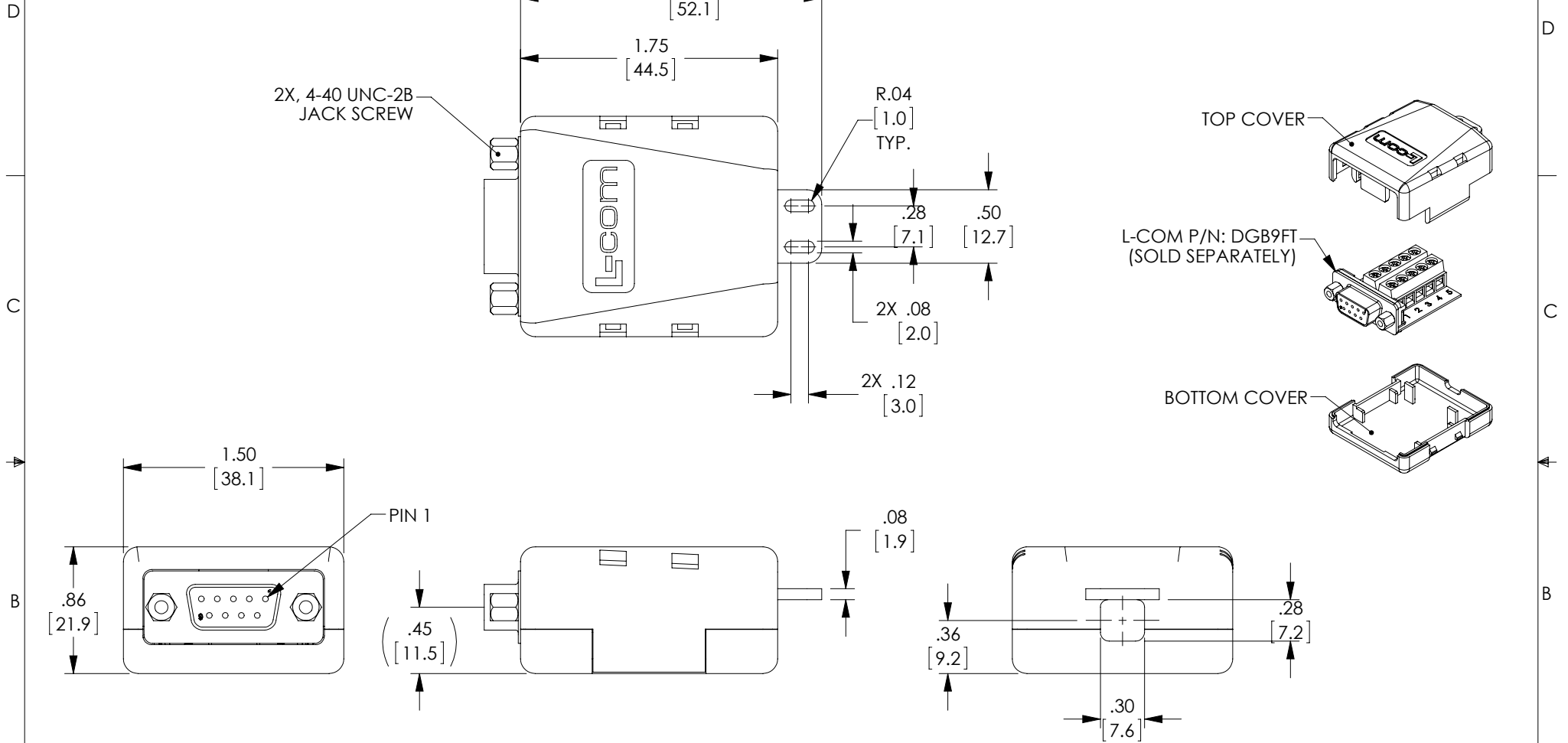


THE INFORMATION CONTAINED IN THIS DRAWING IS THE SOLE PROPERTY OF L-COM, INC. ANY REPRODUCTION IN PART OR WHOLE WITHOUT THE WRITTEN PERMISSION OF L-COM, INC. IS PROHIBITED.

REVISIONS			
REV	DESCRIPTION	DATE	APPROVED
A	INITIAL RELEASE	6/30/14	D.FRISIELLO



NOTES:

1. MATERIAL: ABS, BLACK, UL94V-0
2. WORKS WITH DB9 FEMALE CONNECTOR FOR FIELD TERMINATION L-COM P/N: DGB9FT (SOLD SEPARATELY)
3. TIE WRAP FOR BULK CABLE INCLUDED.
4. CABLE ASSEMBLY SHALL BE INDIVIDUALLY PACKAGED IN ACCORDANCE WITH L-COM SPECIFICATION PS-0031.

REGULATORY COMPLIANCE:
CE2011/65/EU(RoHS DIRECTIVE)

UNLESS OTHERWISE SPECIFIED, DIMENSIONS ARE IN INCHES [mm] OVERALL CABLE LENGTH TOLERANCE: ≤12 [305] = +1 [25] / -0 >12 [305] ≤60 [1524] = +2 [51] / -0 >60 [1524] ≤120 [3048] = +4 [102] / -0 >120 [3048] ≤300 [7620] = +6 [152] / -0 >300 [7620] = +5% / -0%	APPROVALS	DATE		45 BEECHWOOD DRIVE NORTH ANDOVER, MA 01845		
	DRAWN BY D.FRISIELLO	1/6/14				
ALL OTHER DIMENSIONAL TOLERANCES: .X = ±.2 [5.08] .XX = ±.02 [51] .XXX = ±.005 [1.27]	CHECKED BY F.MAO	1/6/14	CATEGORY D-SUBMINIATURE			
	APPROVED BY S.SMITH	1/6/14	PRODUCT DESCRIPTION COVER, DB9F FIELD TERMINATION			
PROJECTION 	CONFIGURATION DETAILS OF UNDIMENSIONED FEATURES MAY VARY	COLOR VARIATIONS MAY OCCUR	SIZE A	FSCM NO. 43321	DWG. NO. DGB9FT-CVR	REV. A
SCALE: NONE			CAD FILE: DGB9FT-CVR.SLDDRW		SHEET 1 OF 1	