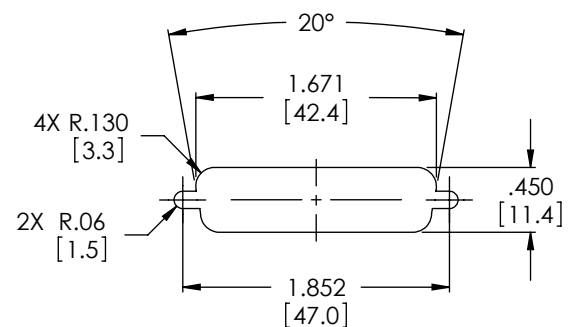
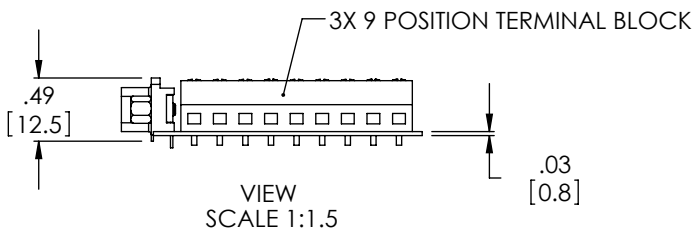
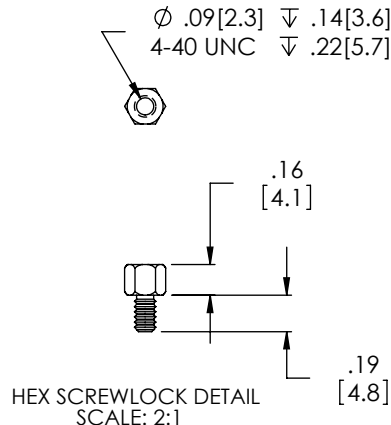
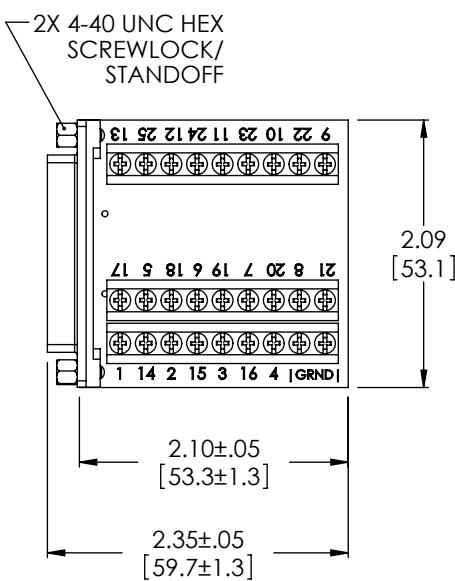
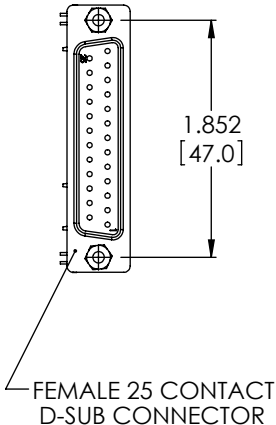


THE INFORMATION CONTAINED IN THIS DRAWING IS THE SOLE PROPERTY OF L-COM, INC. ANY REPRODUCTION IN PART OR WHOLE WITHOUT THE WRITTEN PERMISSION OF L-COM, INC. IS PROHIBITED.

REVISIONS			
REV	DESCRIPTION	DATE	APPROVED
I	PRELIMINARY RELEASE	2008.04.17	E. STAUBLE
A	INCREASED TOL. TO +/- .05 FOR 2.10 & 2.37 DIMS RELOCATED L-com TEXT	2008.05.12	S. SMITH
B	ECN 4308: ADDED VOLTAGE, AMP AND PACKAGING NOTES	10/12/09	D. FRISIELLO
C	ECN 5463: ADDED PANEL CUTOUT	4/26/11	D. CASTRO

WIRING TABLE

DB25		TERMINAL	
PIN #	BLOCK #	PIN #	BLOCK #
1	1	9	22
2	2	10	23
3	3	11	24
4	4	12	25
5	5	13	17
6	6	14	8
7	7	15	20
8	8	16	7
9	9	1	5
10	10	2	18
11	11	3	19
12	12	4	6
13	13	5	18
14	14	6	5
15	15	7	17
16	16	8	20
17	17	9	7
18	18	10	19
19	19	11	6
20	20	12	18
21	21	13	5
22	22	14	17
23	23	15	20
24	24	16	7
25	25	1	5
GROUND	26	2	18



RoHS Compliant ✓

RECOMMENDED PANEL OPENING (MAX PANEL THICKNESS: 0.06")

NOTES:
 VOLTAGE: 1000V AC AND 500V DC.
 CURRENT RATING: 3 AMPS
 COMPONENT ASSEMBLY SHALL BE INDIVIDUALLY PACKAGED IN ACCORDANCE WITH L-COM PS-0031.

UNLESS OTHERWISE SPECIFIED, DIMENSIONS ARE IN INCHES [mm] OVERALL CABLE LENGTH TOLERANCE: ≤12 [305] = +1 [25] / -0 >12 [305] ≤60 [1524] = +2 [51] / -0 >60 [1524] ≤120 [3048] = +4 [102] / -0 >120 [3048] ≤300 [7620] = +6 [152] / -0 >300 [7620] = +3% / -0% ALL OTHER DIMENSIONAL TOLERANCES: .X = ±.2 .XX = ±.02 .XXX = ±.005	APPROVALS DRAWN BY E. STAUBLE	DATE 2008.04.14	45 BEECHWOOD DRIVE NORTH ANDOVER, MA 01845		
	CHECKED BY D. CASTRO	DATE 2008.04.15		CATEGORY DATA	
	APPROVED BY D. PARHAM	DATE 2008.04.15	PRODUCT DESCRIPTION D-SUB FIELD TERMINATION ASSEMBLY		
	PROJECTION 	CONFIGURATION DETAILS OF UNDIMENSIONED FEATURES MAY VARY COLOR VARIATIONS MAY OCCUR	SIZE A	FSCM NO. 43321	DWG. NO. DGB25FT

SCALE: NONE CAD FILE: DGB25FT.SLDDRW SHEET 1 OF 1