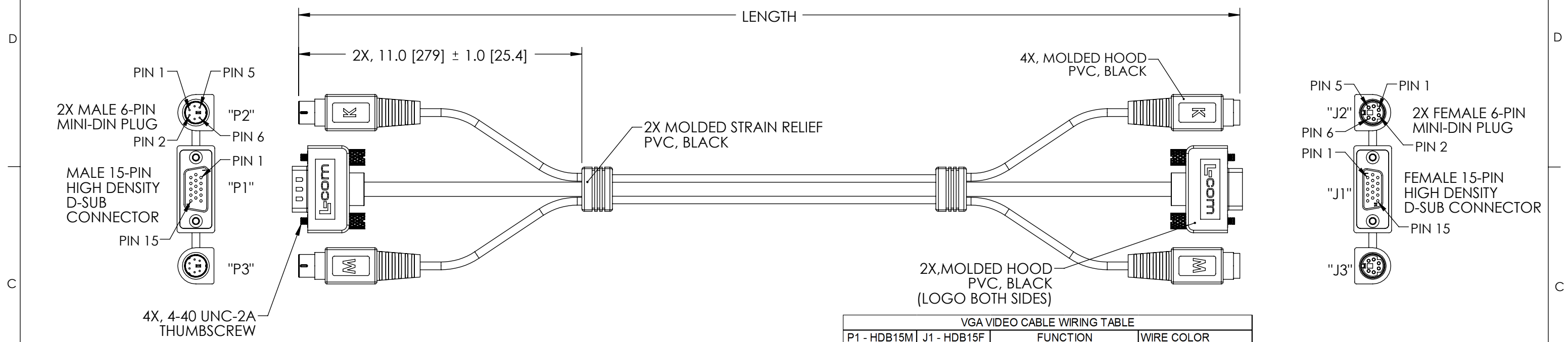


THE INFORMATION CONTAINED IN THIS DRAWING IS THE SOLE PROPERTY OF L-COM, INC. ANY REPRODUCTIONS IN PART OR WHOLE WITHOUT THE WRITTEN PERMISSION OF L-COM, INC. IS PROHIBITED.

REVISIONS			
REV	DESCRIPTION	DATE	CHANGED BY
F	ECN 5083: CH RELEASE AND NEW FORMAT	10/15/10	D.FRISIELLO
G	ECN 6746: ADDED PACKAGING NOTE, UPDATED LOGOS, ADDED ROHS	3/21/13	D. DESJARDIN
H	ECN 9971: REMOVE PIN MARKING FROM CONNECTOR FACE P2/P3, J2 AND J3. REMOVE ROHS COMPLIANT STATEMENT	07/15/2019	B.GATES



SPECIFICATIONS

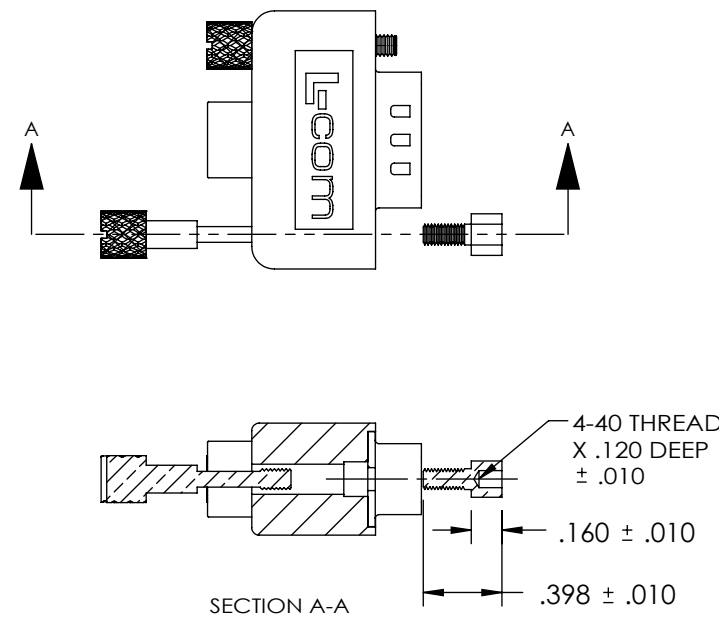
VIDEO CABLE:
 UL STYLE 20276
 COAXIAL CABLE: THREE 75Ω ,
 32 AWG STRANDED COPPER CENTER CONDUCTORS.
 5 PAIRS: 30 AWG STRANDED COPPER CONDUCTORS.
 SHIELDING: ALUMINIZED POLYESTER FOIL AND
 BRAIDED, TINNED COPPER
 JACKET: PVC, BLACK

KEYBOARD AND MOUSE CABLE:
 UL STYLE 20276
 CONDUCTORS: SIX 28 AWG STRANDED
 COPPER CONDUCTORS.
 SHIELDING: ALUMINIZED POLYESTER SHIELD AND
 BRAIDED, TINNED COPPER SHIELD.
 JACKET: PVC, BLACK

D-SUB CONNECTORS:
 INSULATOR: UL94V-0 THERMOPLASTIC
 CONTACTS: GOLD PLATED
 SHELL: TIN FINISH
 THUMBSCREW: NICKEL PLATED

MINI-DIN CONNECTORS:
 INSULATOR: UL94V-0 THERMOPLASTIC
 CONTACTS: TIN PLATED
 SHIELD: NICKEL PLATED

MISCELLANEOUS:
 CABLE ASSEMBLY SHALL BE TESTED FOR CONTINUITY.
 CABLE ASSEMBLY SHALL BE INDIVIDUALLY PACKAGED IN
 ACCORDANCE WITH L-COM SPECIFICATION PS-0031.



CABLES ARE SHIPPED WITH THUMBSCREWS INSTALLED AND FOUR HEX SCREWLOCKS FOR OPTIONAL USE. THUMBSCREWS MAY BE REMOVED EASILY AND THE HEX SCREW LOCKS MOUNTED IN THE CAPTIVE NUTS OF THE CONNECTOR.

VGA VIDEO CABLE WIRING TABLE			
P1 - HDB15M	J1 - HDB15F	FUNCTION	WIRE COLOR
PIN 1	PIN 1	RED SIGNAL	RED CENTER
PIN 2	PIN 2	GREEN SIGNAL	GREEN CENTER
PIN 3	PIN 3	BLUE SIGNAL	BLUE CENTER
PIN 4	PIN 4	ID BIT 2	WHITE
PIN 5	PIN 5	GROUND	WHITE/BLACK
PIN 6	PIN 6	RED SHIELD	RED SHIELD
PIN 7	PIN 7	GREEN SHIELD	GREEN SHIELD
PIN 8	PIN 8	BLUE SHIELD	BLUE SHIELD
PIN 9	PIN 9	POWER	BLUE
PIN 10	PIN 10	SYNC SIGNAL RETURN	YELLOW & GREEN
PIN 11	PIN 11	ID BIT 0	RED
PIN 12	PIN 12	BI-DIRECTIONAL DATA	RED/BLACK
PIN 13	PIN 13	HORIZONTAL SYNC SIGNAL	BLUE/WHITE
PIN 14	PIN 14	VERTICAL SYNC SIGNAL	YELLOW/BLACK
PIN 15	PIN 15	DATA CLOCK	GREEN/BLACK
SHIELD	SHIELD	DRAIN WIRE	

MINI-DIN "K" WIRING TABLE		WIRE COLOR	MINI-DIN "M" WIRING TABLE	
P2 MALE MINI-DIN 6	J2 FEMALE MINI-DIN 6		P3 MALE MINI-DIN 6	J3 FEMALE MINI-DIN 6
PIN 1	PIN 1	WHITE	PIN 1	PIN 1
PIN 2	PIN 2	RED	PIN 2	PIN 2
PIN 3	PIN 3	BLACK	PIN 3	PIN 3
PIN 4	PIN 4	YELLOW	PIN 4	PIN 4
PIN 5	PIN 5	GREEN	PIN 5	PIN 5
PIN 6	PIN 6	BLUE	PIN 6	PIN 6
SHIELD	SHIELD	DRAIN	SHIELD	SHIELD

MODEL NUMBER	LENGTH FEET [METERS]
CTLKVMF-5T	5 [1.52]
CTLKVMF-10T	10 [3.05]
CTLKVMF-15T	15 [4.57]
CTLKVMF-25T	25 [7.62]
CTLKVMF-50T	50 [15.24]

UNLESS OTHERWISE SPECIFIED, DIMENSIONS ARE IN INCHES [mm]
 OVERALL CABLE LENGTH TOLERANCE:
 ≤12 [305] = +1 [25] / -0
 >12 [305] ≤60 [1524] = +2[51] / -0
 >60 [1524] ≤120 [3048] = +4 [102] / -0
 >120 [3048] ≤300 [7620] = +6 [152] / -0
 >300 [7620] = +5% / -0%
 ALL OTHER DIMENSIONAL TOLERANCES:
 .X = ±.01[.25]
 .XX = ±.02[.51]
 .XXX = ±.005[.13]

APPROVALS	DATE
DRAWN BY D PARHAM	7/16/2001
CHECKED BY T CLARK	7/17/2001
APPROVED BY D DOLCE	12/12/2001

L-com Global Connectivity 50 HIGH STREET NORTH ANDOVER, MA 01845

CATEGORY: AUDIO/VIDEO

PRODUCT DESCRIPTION: CA KVM HD15,(2) MD6 M/F

SIZE: B	FSCM NO.: 43321	DWG. NO.: CTLKVMF-T	REV.: H
----------------	------------------------	----------------------------	----------------

SCALE: 1:1 CAD FILE: CTLKVMF-T.SDDRW SHEET 1 OF 1

