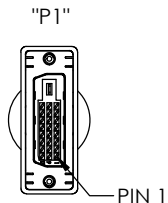


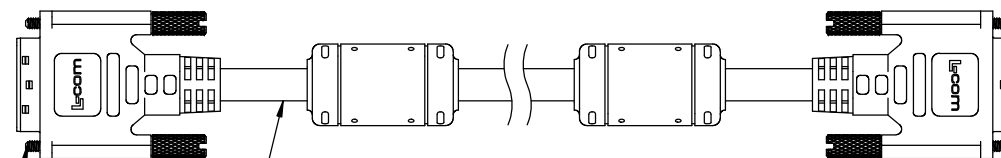
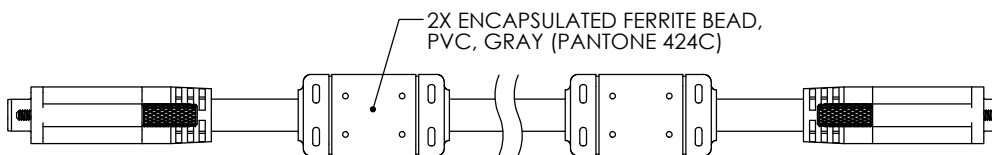
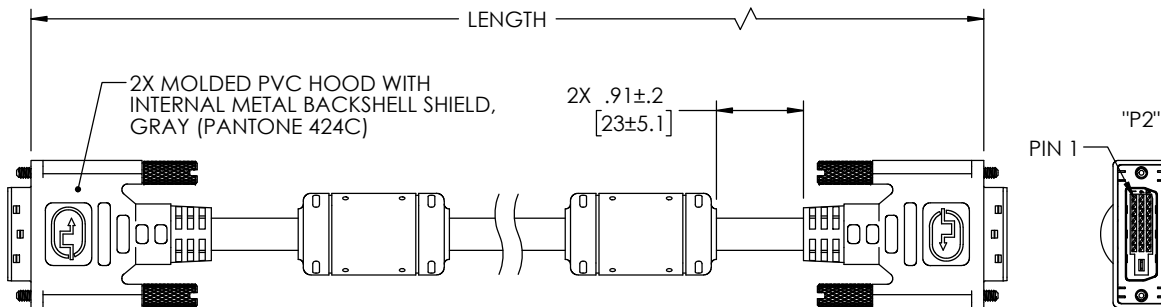
THE INFORMATION CONTAINED IN THIS DRAWING IS THE SOLE PROPERTY OF L-COM, INC. ANY REPRODUCTION IN PART OR WHOLE WITHOUT THE WRITTEN PERMISSION OF L-COM, INC. IS PROHIBITED.

REVISION					
ZONE	REV	DESCRIPTION	DATE	CHANGED BY	APPROVED
	A	INITIAL RELEASE	01/06/2025	BZHANG	WLI

PART NUMBER	LENGTH	
	METERS	FEET
CTLDVI-DL-MM-1M	1	3.28
CTLDVI-DL-MM-1.5M	1.5	4.92
CTLDVI-DL-MM-2M	2.0	6.56
CTLDVI-DL-MM-2.5M	2.5	8.20
CTLDVI-DL-MM-3M	3.0	9.84
CTLDVI-DL-MM-5M	5.0	16.40
CTLDVI-DL-MM-7M	7.0	22.97



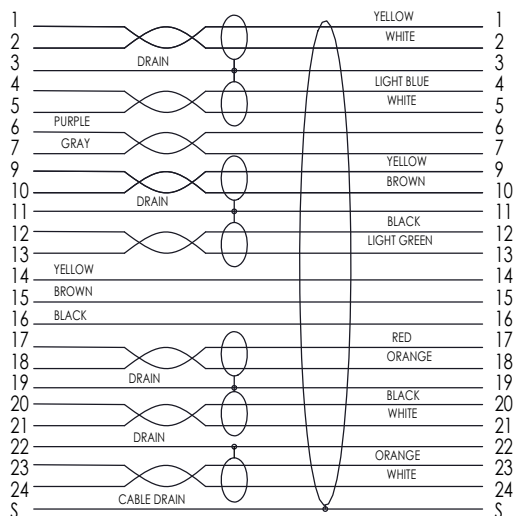
2X MALE DVI-D
DUAL LINK CONNECTOR
GOLD PLATED CONTACTS



4X #4-40 UNC-2A
METAL THUMBSCREW

UL STYLE 20276 CABLE,
(7) SHIELDED TWISTED PAIR, 28AWG STRANDED TINNED COPPER WITH DRAIN WIRE,
(1) UNSHIELDED TWISTED PAIR, 28AWG STRANDED TINNED COPPER,
(3) CONDUCTORS, 28AWG STRANDED TINNED COPPER,
OVERALL ALUMINIZED POLYESTER FOIL WITH TINNED COPPER BRAID SHIELDING
OUTER JACKET: PVC; GRAY (PANTONE 424C); NOM DIA. 8.5mm.
(OPERATING TEMPERATURE RANGE: -10°C~+80°C)

"P1" WIRING MAP "P2"



PIN 8: NO CONNECTION

NOTES:

1. CABLES TO BE TESTED FOR CONTINUITY
2. CABLES TO BE INDIVIDUALLY PACKAGED IN ACCORDANCE WITH L-COM SPEC. PS-0031
3. DUST COVERS INSTALLED FOR SHIPPING (NOT SHOWN).

REGULATORY COMPLIANCE:

EU RoHS DIRECTIVE (MOST RECENT RELEASED VERSION)

UNLESS OTHERWISE SPECIFIED, DIMENSIONS ARE IN INCHES [mm] OVERALL CABLE LENGTH TOLERANCE: ≤12 [305] = +1 [25] / -0 >12 [305] ≤60 [1524] = +2 [51] / -0 >60 [1524] ≤120 [3048] = +4 [102] / -0 >120 [3048] ≤300 [7620] = +6 [152] / -0 >300 [7620] = +5% / -0 ALL OTHER DIMENSIONAL TOLERANCES: .X = ±.2 [5] FRACTIONS ± 1/32 .XX = ±.02 [.5] ANGLES ± 1° .XXX = ±.005 [.13]	APPROVALS	DATE	 50 High Street, West Mill, North Andover, MA 01845 USA. Phone: 1.800.341.5266 1.978.682.6936	
	DRAWN BY BZHANG	12/05/2024		CATEGORY AUDIO/VIDEO
	CHECKED BY WLI	12/05/2024		
	APPROVED BY WLI	12/05/2024		
THIRD-ANGLE PROJECTION	CONFIGURATION DETAILS OF UNDIMENSIONED FEATURES MAY VARY	PRODUCT DESCRIPTION CA DVI-D M/M DUAL LINK W/FERRITES	SIZE A	
	COLOR VARIATIONS MAY OCCUR	CAGE CODE 43321	ITEM NO. CTLDVI-DL-MM-CN	
	REF	SCALE: NONE	SHEET 1 OF 1	