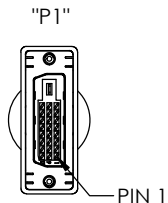


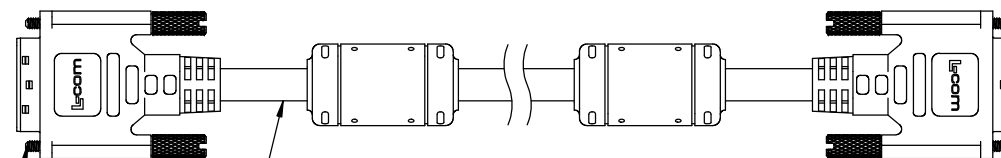
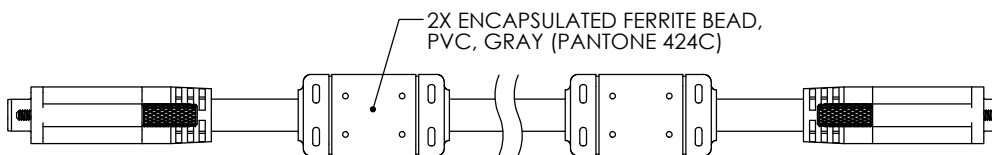
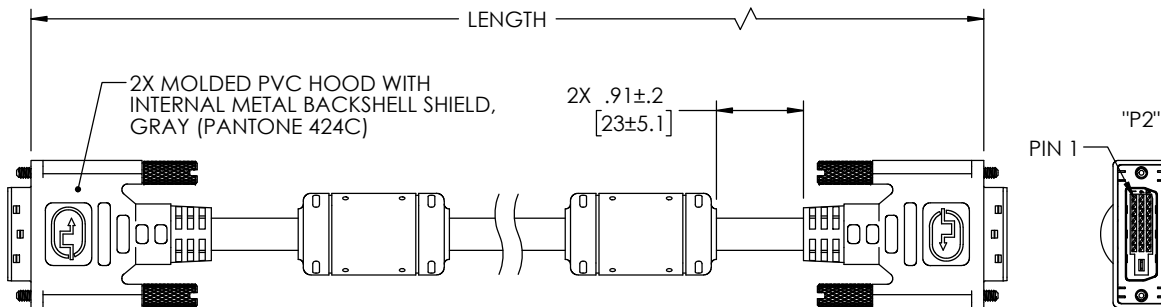
THE INFORMATION CONTAINED IN THIS DRAWING IS THE SOLE PROPERTY OF L-COM, INC. ANY REPRODUCTION IN PART OR WHOLE WITHOUT THE WRITTEN PERMISSION OF L-COM, INC. IS PROHIBITED.

REVISION					
ZONE	REV	DESCRIPTION	DATE	CHANGED BY	APPROVED
	A	INITIAL RELEASE	01/06/2025	BZHANG	WLI

PART NUMBER	LENGTH	
	METERS	FEET
CTLDVI-DL-MM-1M	1	3.28
CTLDVI-DL-MM-1.5M	1.5	4.92
CTLDVI-DL-MM-2M	2.0	6.56
CTLDVI-DL-MM-2.5M	2.5	8.20
CTLDVI-DL-MM-3M	3.0	9.84
CTLDVI-DL-MM-5M	5.0	16.40
CTLDVI-DL-MM-7M	7.0	22.97



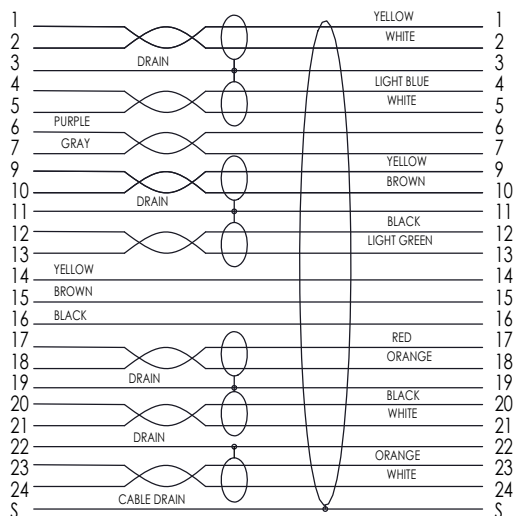
2X MALE DVI-D
DUAL LINK CONNECTOR
GOLD PLATED CONTACTS



4X #4-40 UNC-2A
METAL THUMBSCREW

UL STYLE 20276 CABLE,
(7) SHIELDED TWISTED PAIR, 28AWG STRANDED TINNED COPPER WITH DRAIN WIRE,
(1) UNSHIELDED TWISTED PAIR, 28AWG STRANDED TINNED COPPER,
(3) CONDUCTORS, 28AWG STRANDED TINNED COPPER,
OVERALL ALUMINIZED POLYESTER FOIL WITH TINNED COPPER BRAID SHIELDING
OUTER JACKET: PVC; GRAY (PANTONE 424C); NOM DIA. 8.5mm.
(OPERATING TEMPERATURE RANGE: -10°C~+80°C)

"P1" WIRING MAP "P2"



PIN 8: NO CONNECTION

NOTES:

1. CABLES TO BE TESTED FOR CONTINUITY
2. CABLES TO BE INDIVIDUALLY PACKAGED IN ACCORDANCE WITH L-COM SPEC. PS-0031
3. DUST COVERS INSTALLED FOR SHIPPING (NOT SHOWN).

REGULATORY COMPLIANCE:

EU RoHS DIRECTIVE (MOST RECENT RELEASED VERSION)

UNLESS OTHERWISE SPECIFIED, DIMENSIONS ARE IN INCHES [mm] OVERALL CABLE LENGTH TOLERANCE: ≤12 [305] = +1 [25] / -0 >12 [305] ≤60 [1524] = +2 [51] / -0 >60 [1524] ≤120 [3048] = +4 [102] / -0 >120 [3048] ≤300 [7620] = +6 [152] / -0 >300 [7620] = +5% / -0 ALL OTHER DIMENSIONAL TOLERANCES: .X = ±.2 [5] FRACTIONS ± 1/32 .XX = ±.02 [.5] ANGLES ± 1° .XXX = ±.005 [.13]	APPROVALS DRAWN BY BZHANG CHECKED BY WLI APPROVED BY WLI	DATE 12/05/2024 12/05/2024 12/05/2024	50 High Street, West Mill, North Andover, MA 01845 USA. Phone: 1.800.341.5266 1.978.682.6936				
	CATEGORY AUDIO/VIDEO			PRODUCT DESCRIPTION CA DVI-D M/M DUAL LINK W/FERRITES			
	THIRD-ANGLE PROJECTION 	CONFIGURATION DETAILS OF UNDIMENSIONED FEATURES MAY VARY	COLOR VARIATIONS MAY OCCUR		SIZE A	CAGE CODE 43321	ITEM NO. CTLDVI-DL-MM-CN
	REF	SCALE: NONE		CAD FILE: CTLDVI-DL-MM-CN.SLDDRW	SHEET 1 OF 1		