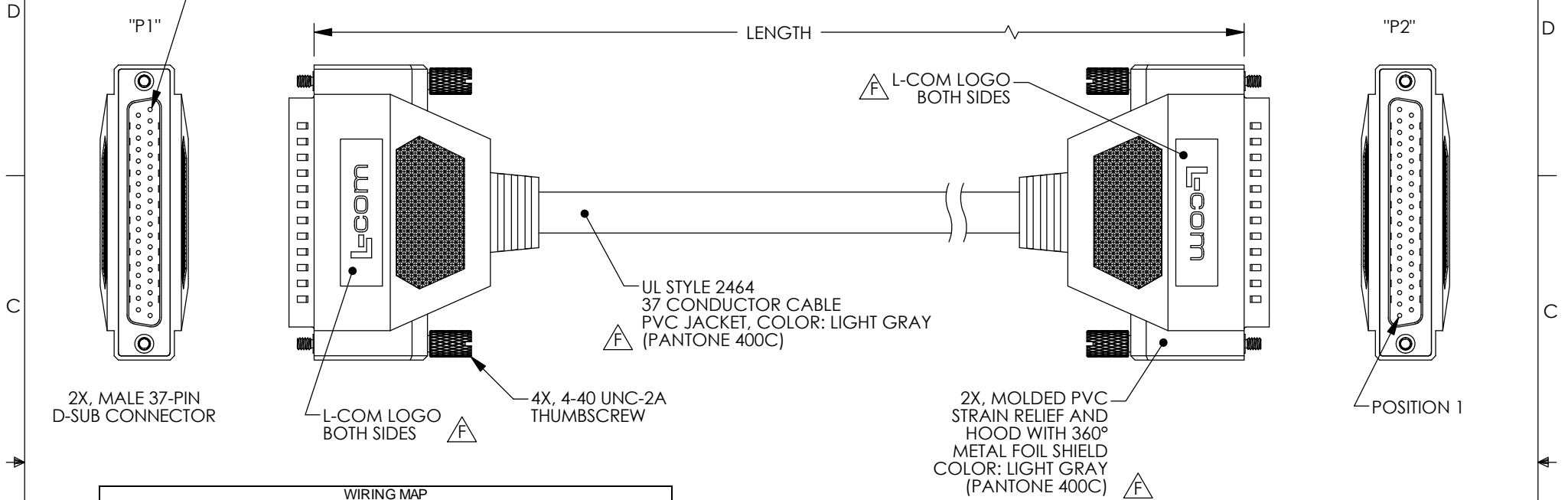


THE INFORMATION CONTAINED IN THIS DRAWING IS THE SOLE PROPERTY OF L-COM, INC. ANY REPRODUCTION IN PART OR WHOLE WITHOUT THE WRITTEN PERMISSION OF L-COM, INC. IS PROHIBITED.

RoHS Compliant ✓

REVISIONS			
REV	DESCRIPTION	DATE	APPROVED
E	ECN 4474: ADDED 1.0 FT. LENGTH, UPDATED FORMAT, ADDED NOTES	1/7/10	D. CASTRO
F	ECN 6603: REVISED L-COM LOGO, ADDED COLOR	1/25/13	D.FRISIELLO



WIRING MAP					
"P1"	WIRE COLOR	"P2"	"P1"	WIRE COLOR	"P2"
1	BLACK	1	20	RED / BLACK	20
2	BROWN	2	21	ORANGE / BLACK	21
3	RED	3	22	YELLOW / BLACK	22
4	ORANGE	4	23	GREEN / BLACK	23
5	YELLOW	5	24	GRAY / BLACK	24
6	GREEN	6	25	PINK / BLACK	25
7	BLUE	7	26	PINK / RED	26
8	PURPLE	8	27	PINK / BLUE	27
9	GRAY	9	28	PINK / GREEN	28
10	WHITE	10	29	LIGHT BLUE	29
11	PINK	11	30	LIGHT BLUE / BLACK	30
12	LIGHT GREEN	12	31	LIGHT BLUE / RED	31
13	BLACK / WHITE	13	32	LIGHT BLUE / BLUE	32
14	BROWN / WHITE	14	33	LIGHT BLUE / GREEN	33
15	RED / WHITE	15	34	GRAY / RED	34
16	ORANGE / WHITE	16	35	GRAY / GREEN	35
17	GREEN / WHITE	17	36	PURPLE / BLACK	36
18	BLUE / WHITE	18	37	BLUE / BLACK	37
19	PURPLE / WHITE	19	SHELL	DRAIN WIRE	SHELL

PART NUMBER	LENGTH	
	FEET	METERS
CSMN37MM-1	1	0.31
CSMN37MM-2.5	2.5	0.76
CSMN37MM-5	5	1.52
CSMN37MM-10	10	3.05
CSMN37MM-15	15	4.57
CSMN37MM-25	25	7.62
CSMN37MM-50	50	15.24

**NOTES:**

1. CABLE ASSEMBLY SHALL BE TESTED FOR CONTINUITY.
2. CABLE ASSEMBLY SHALL BE INDIVIDUALLY PACKAGED IN ACCORDANCE WITH L-COM PACKAGING SPEC. PS-0031.

UNLESS OTHERWISE SPECIFIED, DIMENSIONS ARE IN INCHES [mm] OVERALL CABLE LENGTH TOLERANCE: $\leq 12$ [305] = +1 [25] / -0 $>12$ [305] $\leq 60$ [1524] = +2 [51] / -0 $>60$ [1524] $\leq 120$ [3048] = +4 [102] / -0 $>120$ [3048] $\leq 300$ [7620] = +6 [152] / -0 $>300$ [7620] = +3% / -0% ALL OTHER DIMENSIONAL TOLERANCES: .X = ± .2 .XX = ± .02 .XXX = ± .005	APPROVALS DRAWN BY TJC CHECKED BY DFP APPROVED BY CM	DATE 5/2/01 7/18/01 7/19/01	45 BEECHWOOD DRIVE NORTH ANDOVER, MA 01845	
	CONFIGURATION DETAILS OF UNDIMENSIONED FEATURES MAY VARY			CATEGORY <b>D-SUBMINIATURE</b>
	PROJECTION 	COLOR VARIATIONS MAY OCCUR CSMN-FS01	SIZE <b>A</b>	PRODUCT DESCRIPTION <b>DELUXE MOLDED CABLE, DB37M TO DB37M</b>
	FSCM NO. <b>43321</b>		DWG. NO. <b>CSMN37MM</b>	REV. <b>F</b>
SCALE: NONE		CAD FILE: CSMN37MM.SLDDRW	SHEET 1 OF 1	