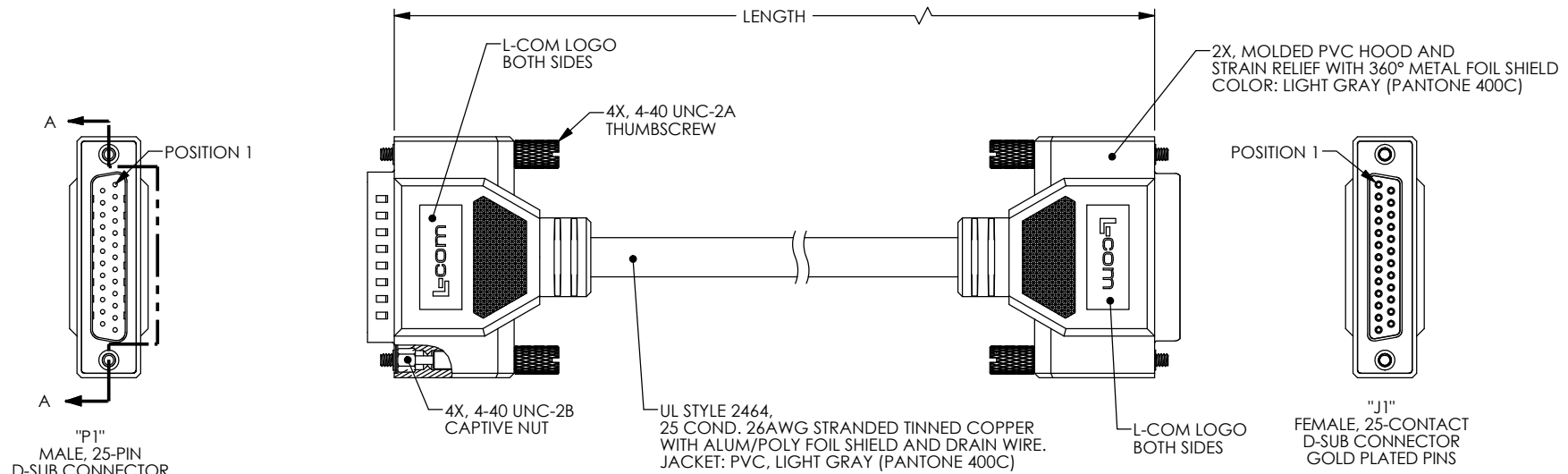


THE INFORMATION CONTAINED IN THIS DRAWING IS THE SOLE PROPERTY OF L-COM, INC. ANY REPRODUCTIONS IN PART OR WHOLE WITHOUT THE WRITTEN PERMISSION OF L-COM, INC. IS PROHIBITED.

REVISIONS			
REV	DESCRIPTION	DATE	CHANGED BY
D	ECN 6602-ADDED NOTES, REVISED FORMAT, LOGO, COLOR	1/16/13	D.FRISIELLO
E	ECN 7241-ADDED 1 FT LENGTH, REVISED ROHS AND FORMAT	1/21/14	D.FRISIELLO

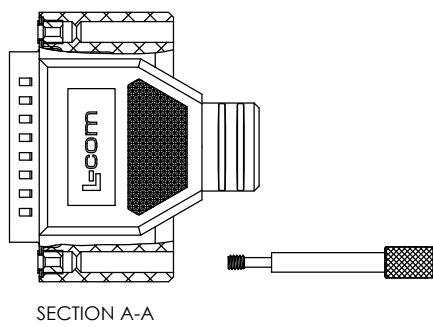


"P1"
MALE, 25-PIN
D-SUB CONNECTOR
GOLD PLATED PINS

"J1"
FEMALE, 25-CONTACT
D-SUB CONNECTOR
GOLD PLATED PINS

WIRING MAP		
"P1"	WIRE COLOR	"J1"
1	BLACK	1
2	BROWN	2
3	RED	3
4	ORANGE	4
5	YELLOW	5
6	GREEN	6
7	BLUE	7
8	PURPLE	8
9	GRAY	9
10	WHITE	10
11	PINK	11
12	LIGHT GREEN	12
13	BLACK / WHITE	13
14	BROWN / WHITE	14
15	RED / WHITE	15
16	ORANGE / WHITE	16
17	GREEN / WHITE	17
18	BLUE / WHITE	18
19	PURPLE / WHITE	19
20	RED / BLACK	20
21	ORANGE / BLACK	21
22	YELLOW / BLACK	22
23	GREEN / BLACK	23
24	GRAY / BLACK	24
25	PINK / BLACK	25
SHELL	DRAIN WIRE	SHELL

PART NUMBER	LENGTH	
	FEET	METERS
CRMN25MF-1	1.0	0.31
CRMN25MF-2.5	2.5	0.76
CRMN25MF-5	5.0	1.52
CRMN25MF-10	10.0	3.05
CRMN25MF-15	15.0	4.57
CRMN25MF-25	25.0	7.62



SUPPLIED WITH THUMBSCREWS IN PLACE.
NOTE: SUPPLIED WITH OPTIONAL USE HARDWARE AND INSTRUCTIONS.
CABLE INTERCONNECTION HARDWARE: (4) SCREWLOCKS, H= .191"
PANEL MOUNT HARDWARE: (4) SCREWLOCKS, H= .160"

NOTES:

1. CABLE ASSEMBLY SHALL BE TESTED FOR CONTINUITY.
2. CABLE ASSEMBLY SHALL BE INDIVIDUALLY PACKAGED IN ACCORDANCE WITH L-COM SPECIFICATION PS-0031.

REGULATORY COMPLIANCE:
CE2011/65/EU(ROHS DIRECTIVE)

UNLESS OTHERWISE SPECIFIED, DIMENSIONS ARE IN INCHES (mm)
I. CLARK
OVERALL CABLE LENGTH TOLERANCE:
≤12 (305) ±.01 (25) / 0
>12 (305) ≤60 (1524) ±.015 (1) / 0
>60 (1524) ≤120 (3048) ±.02 (508) ±.01 (25) / 0
>120 (3048) ≤300 (7620) ±.03 (762) ±.015 (1) / 0
>300 (7620) ±.05 (127) / 0
ALL OTHER DIMENSIONAL TOLERANCES:
X = ±.2 (5.08)
XX = ±.02 (51)
XXX = ±.005 (127)
PROJECTION

APPROVALS	DATE
DRAWN BY I. CLARK	3/10/2004
CHECKED BY D. PARHAM	3/30/2004
APPROVED BY C. MCCORMICK	3/31/2004

L-com Global Connectivity 45 BEECHWOOD DRIVE NORTH ANDOVER, MA 01845

CATEGORY: D-SUBMINIATURE

PRODUCT DESCRIPTION: CABLE, DB25M/F REVERSIBLE HDWR

SIZE: B	FSCM NO.: 43321	DWG. NO.: CRMN25MF	REV.: E
----------------	------------------------	---------------------------	----------------

SCALE: 1:1 CAD FILE: CRMN25MF.SLDRAW SHEET 1 OF 1

