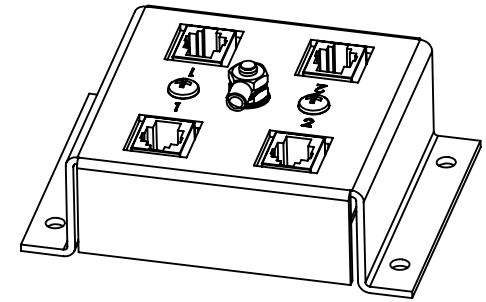
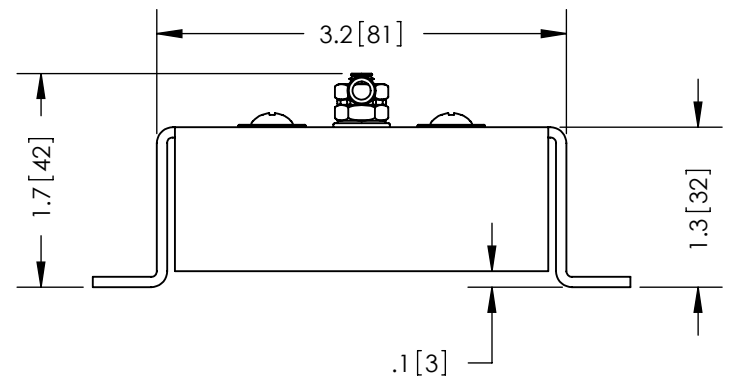
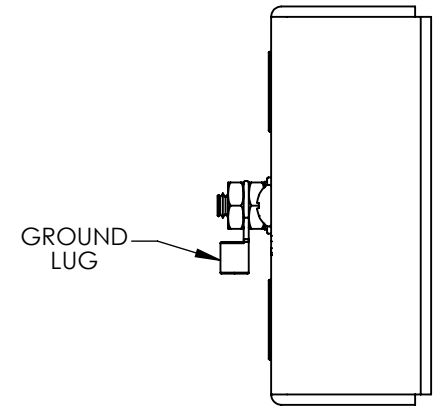
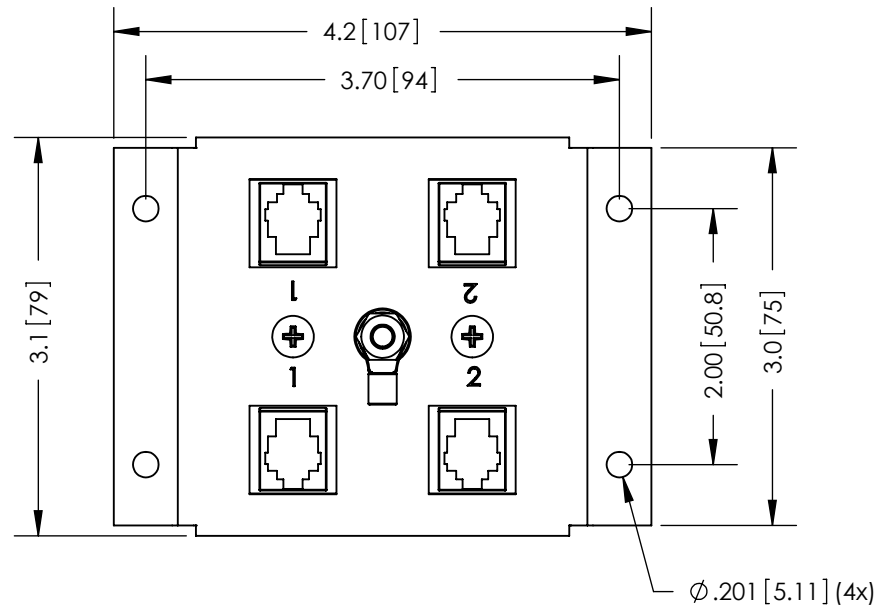


THE INFORMATION CONTAINED IN THIS DRAWING IS THE SOLE PROPERTY OF L-COM, INC. ANY REPRODUCTION IN PART OR WHOLE WITHOUT THE WRITTEN PERMISSION OF L-COM, INC. IS PROHIBITED.

REVISIONS			
REV	DESCRIPTION	DATE	APPROVED
A	INITIAL RELEASE	11/20/13	D.GRIFFIN



**NOTE:**  
 1- COMPONENTS SHALL BE INDIVIDUALLY PACKAGED IN ACCORDANCE WITH L-COM SPECIFICATION PKG-00012  
 - ALL DIMENSIONS ARE FOR REFERENCE ONLY -  
**REGULATORY COMPLIANCE:**  
 CE2-11/65/EU(RoHS DIRECTIVE)

UNLESS OTHERWISE SPECIFIED, DIMENSIONS ARE IN INCHES [mm]  DIMENSIONAL TOLERANCES: .X = ±.1 [2.54] .XX = ±.01 [25] .XXX = ±.005 [13]  ANGULAR TOLERANCES: ALL = ± 1°	APPROVALS	DATE		45 BEECHWOOD DRIVE NORTH ANDOVER, MA 01845	
	DRAWN BY B.PUCHASKI	11/18/13			
	CHECKED BY K. BURGNER	11/18/13	CATEGORY	LIGHTNING PROTECTOR	
	APPROVED BY P.PESA	11/18/13	PRODUCT DESCRIPTION	2-PORT TEL/DSL INDOOR LIGHTNING PROTECTOR	
PROJECTION 	COLOR VARIATIONS MAY OCCUR	SIZE <b>A</b>	FSCM NO. <b>43321</b>	DWG. NO. <b>CMSP-DT-2</b>	REV. <b>A</b>
		SCALE: NONE	CAD FILE: CMSP-DT-2.SLDDRW	SHEET 1 OF 1	