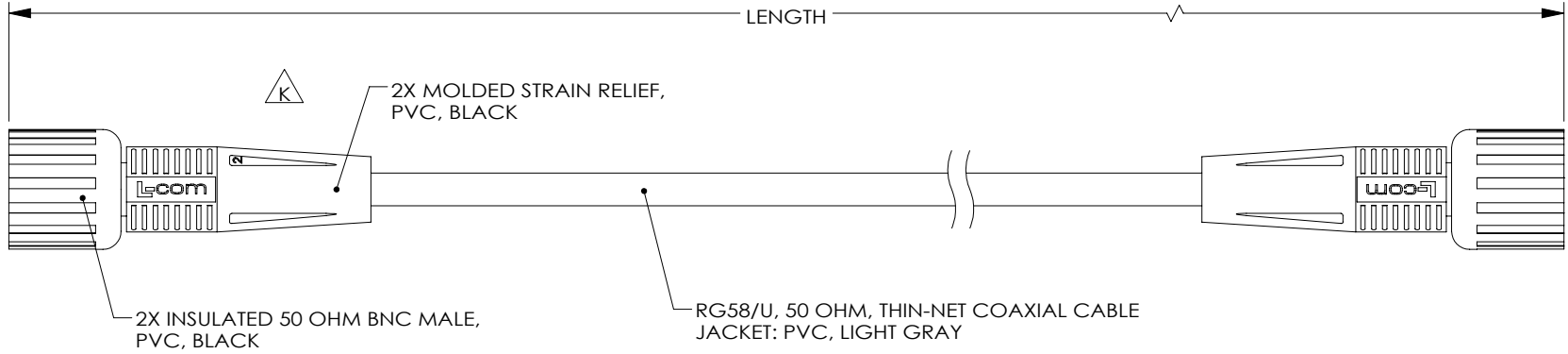


THE INFORMATION CONTAINED IN THIS DRAWING IS THE SOLE PROPERTY OF L-COM, INC. ANY REPRODUCTION IN PART OR WHOLE WITHOUT THE WRITTEN PERMISSION OF L-COM, INC. IS PROHIBITED.

REVISIONS			
REV	DESCRIPTION	DATE	APPROVED
K	ECN 8815: UPDATE THE MATERIAL OF STRAIN RELIEF TO PVC	06/13/17	S.LI



PART NUMBER	LENGTH FEET [METERS]
CCTN58-1B	1.0 [0.30]
CCTN58-2B	2.0 [0.61]
CCTN58-2.5B	2.5 [0.76]
CCTN58-3B	3.0 [0.91]
CCTN58-5B	5.0 [1.52]
CCTN58-6B	6.0 [1.83]
CCTN58-7.5B	7.5 [2.29]
CCTN58-10B	10.0 [3.05]
CCTN58-15B	15.0 [4.57]
CCTN58-25B	25.0 [7.62]
CCTN58-50B	50.0 [15.24]
CCTN58-100B	100.0 [30.48]

**NOTES:**

- CABLE ASSEMBLY SHALL BE TESTED FOR CONTINUITY.
- CABLE ASSEMBLY SHALL BE INDIVIDUALLY PACKAGED IN ACCORDANCE WITH L-COM SPECIFICATION PS-0031.

**REGULATORY COMPLIANCE:**  
CE2011/65/EU (RoHS DIRECTIVE)

UNLESS OTHERWISE SPECIFIED, DIMENSIONS ARE IN INCHES [mm] OVERALL CABLE LENGTH TOLERANCE: ≤12 [305] = +1 [25] / -0 >12 [305] ≤60 [1524] = +2 [51] / -0 >60 [1524] ≤120 [3048] = +4 [102] / -0 >120 [3048] ≤300 [7620] = +6 [152] / -0 >300 [7620] = +3% / -0%	APPROVALS	DATE		50 HIGH STREET NORTH ANDOVER, MA 01845
	DRAWN BY MCCORMICK	06/18/01		CATEGORY <b>COAXIAL</b>
ALL OTHER DIMENSIONAL TOLERANCES: .X = ± .2 [5.08] .XX = ± .02 [1.51] .XXX = ± .005 [1.3]	CHECKED BY D.PARHAM	07/02/01	PRODUCT DESCRIPTION <b>CA BNC M/BNC M RG58/U</b>	
	APPROVED BY ENG	07/05/01	SIZE <b>A</b>	FSCM NO. <b>43321</b>
PROJECTION 	CONFIGURATION DETAILS OF UNDIMENSIONED FEATURES MAY VARY		DWG. NO. <b>CCTN58-B</b>	REV. <b>K</b>
COLOR VARIATIONS MAY OCCUR		SCALE: NONE		CAD FILE: CCTN58-B.SLDDRW
			SHEET 1 OF 1	