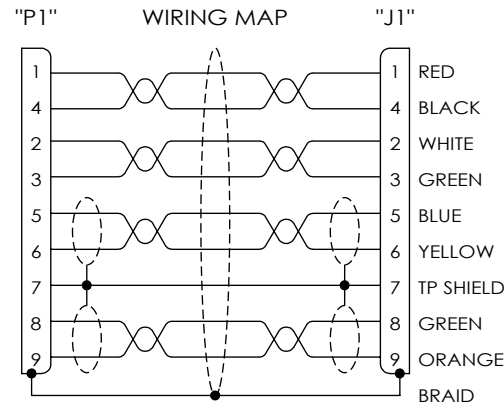
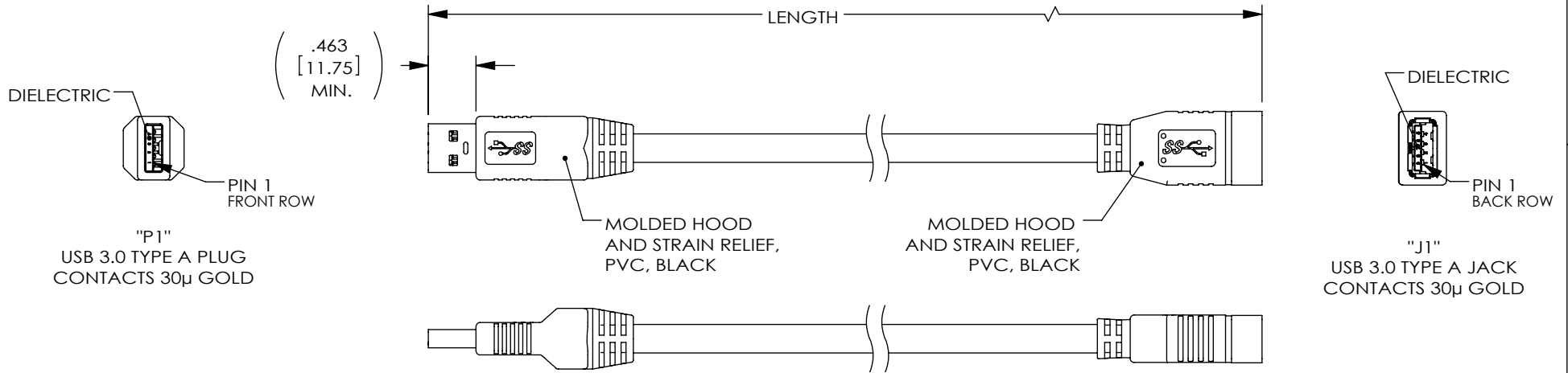


THE INFORMATION CONTAINED IN THIS DRAWING IS THE SOLE PROPERTY OF L-COM, INC. ANY REPRODUCTION IN PART OR WHOLE WITHOUT THE WRITTEN PERMISSION OF L-COM, INC. IS PROHIBITED.

REVISION					
ZONE	REV	DESCRIPTION	DATE	CHANGED BY	APPROVED
	A	INITIAL RELEASE	03/25/2024	SLI	WLI



UL STYLE 20276, USB3.0 HIGH FLEX CABLE,
 (2) TWISTED PAIR, 28AWG WITH ALUM/POLY, DRAIN WIRE AND SPIRAL SHIELD,
 (1) UNSHIELDED TWISTED PAIR, 26AWG,
 (1) UNSHIELDED TWISTED PAIR, 22AWG,
 OVERALL ALUM/POLY AND BRAIDED SHIELD,
 JACKET: PVC, BLACK
 (NOM DIA. .276" [7.0]); FLAME RATING: UL VW-1;
 MIN. FIXED BEND RADIUS: 5X O.D.;
 MIN. MOVING BEND RADIUS: 10X O.D.)


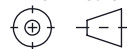
PART NUMBER	LENGTH METERS [FEET]
CAU3HFAX-BLK-208M	2.8 [9.19]
CAU3HFAX-BLK-3M	3.0 [9.84]
CAU3HFAX-BLK-4M	4.0 [13.12]
CAU3HFAX-BLK-5M	5.0 [16.40]

NOTES:

- CABLE TYPE-U DRAG CHAIN TESTING:
5 MILLION CYCLES MIN. (75mm BEND RADIUS)
- CABLE ASSEMBLY SHALL HAVE 360° SHIELD TERMINATION.
- CABLE ASSEMBLY SHALL BE TESTED FOR CONTINUITY.
- CABLE ASSEMBLY SHALL BE INDIVIDUALLY PACKAGED IN ACCORDANCE WITH L-COM SPECIFICATION PS-0031.

REGULATORY COMPLIANCE:

EU RoHS DIRECTIVE (MOST RECENT RELEASED VERSION)

UNLESS OTHERWISE SPECIFIED, DIMENSIONS ARE IN INCHES [mm] OVERALL CABLE LENGTH TOLERANCE: ≤12 [305] = +1 [25] / -0 >12 [305] ≤60 [1524] = +2 [51] / -0 >60 [1524] ≤120 [3048] = +4 [102] / -0 >120 [3048] ≤300 [7620] = +6 [152] / -0 >300 [7620] = +5% / -0 ALL OTHER DIMENSIONAL TOLERANCES: .X = ± .2 [5] FRACTIONS ± 1/32 .XX = ± .02 [.5] ANGLES ± 1° .XXX = ± .005 [.13]	APPROVALS DRAWN BY SLI CHECKED BY WLI APPROVED BY WLI	DATE 03/06/2024 03/06/2024 03/06/2024	 50 High Street, West Mill, North Andover, MA 01845 USA. Phone: 1.800.341.5266 1.978.682.6936	
	CONFIGURATION DETAILS OF UNDIMENSIONED FEATURES MAY VARY			CATEGORY USB
	THIRD-ANGLE PROJECTION 	COLOR VARIATIONS MAY OCCUR	SIZE A	CAGE CODE 43321
	PRODUCT DESCRIPTION CA, USB3.0 A/AF HIGH FLEX DRAG CHAIN		ITEM NO. CAU3HFAX-BLK-L	REV. A
SCALE: NONE		CAD FILE: CAU3HFAX-BLK-L.SLDDRW		
			SHEET 1 OF 1	