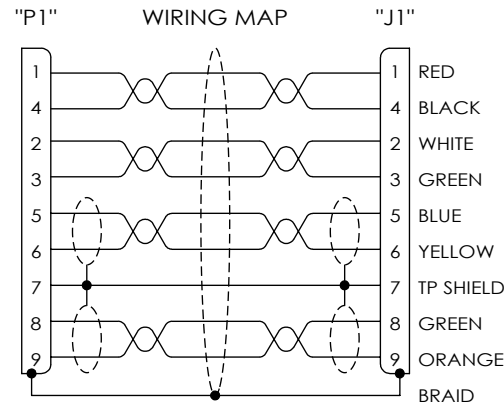
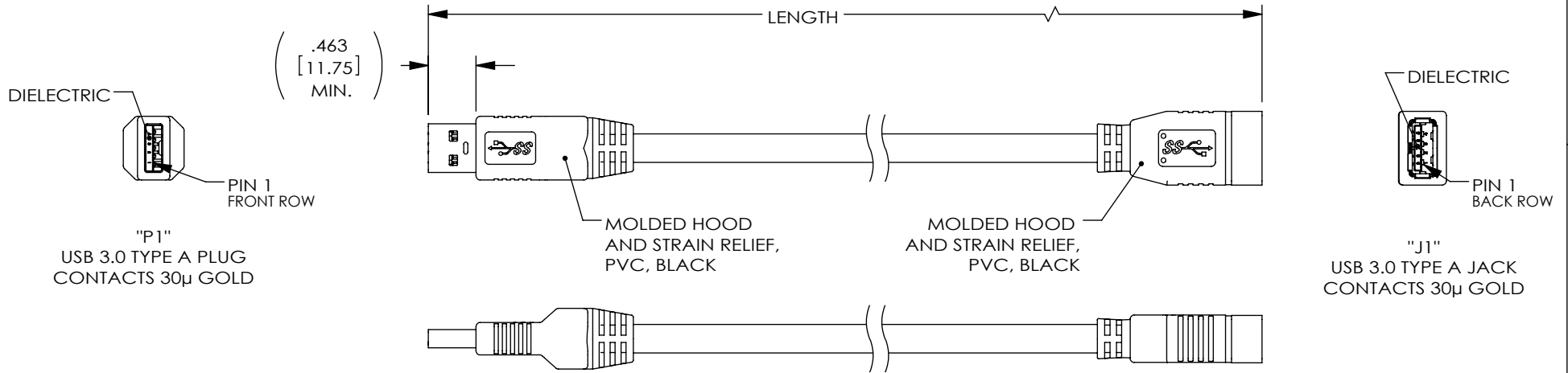


THE INFORMATION CONTAINED IN THIS DRAWING IS THE SOLE PROPERTY OF L-COM, INC. ANY REPRODUCTION IN PART OR WHOLE WITHOUT THE WRITTEN PERMISSION OF L-COM, INC. IS PROHIBITED.

| REVISION | | | | | |
|----------|-----|-----------------|------------|------------|----------|
| ZONE | REV | DESCRIPTION | DATE | CHANGED BY | APPROVED |
| | A | INITIAL RELEASE | 03/25/2024 | SLI | WLI |



UL STYLE 20276, USB3.0 HIGH FLEX CABLE,
 (2) TWISTED PAIR, 28AWG WITH ALUM/POLY, DRAIN WIRE AND SPIRAL SHIELD,
 (1) UNSHIELDED TWISTED PAIR, 26AWG,
 (1) UNSHIELDED TWISTED PAIR, 22AWG,
 OVERALL ALUM/POLY AND BRAIDED SHIELD,
 JACKET: PVC, BLACK
 (NOM DIA. .276" [7.0]); FLAME RATING: UL VW-1;
 MIN. FIXED BEND RADIUS: 5X O.D.;
 MIN. MOVING BEND RADIUS: 10X O.D.)


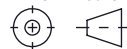
| PART NUMBER | LENGTH METERS [FEET] |
|-------------------|----------------------|
| CAU3HFAX-BLK-208M | 2.8 [9.19] |
| CAU3HFAX-BLK-3M | 3.0 [9.84] |
| CAU3HFAX-BLK-4M | 4.0 [13.12] |
| CAU3HFAX-BLK-5M | 5.0 [16.40] |

NOTES:

- CABLE TYPE-U DRAG CHAIN TESTING:
5 MILLION CYCLES MIN.(75mm BEND RADIUS)
- CABLE ASSEMBLY SHALL HAVE 360° SHIELD TERMINATION.
- CABLE ASSEMBLY SHALL BE TESTED FOR CONTINUITY.
- CABLE ASSEMBLY SHALL BE INDIVIDUALLY PACKAGED IN ACCORDANCE WITH L-COM SPECIFICATION PS-0031.

REGULATORY COMPLIANCE:

EU RoHS DIRECTIVE (MOST RECENT RELEASED VERSION)

| | | | | | |
|--|--|--|---|-----------------------------------|------------------|
| UNLESS OTHERWISE SPECIFIED, DIMENSIONS ARE IN INCHES [mm] OVERALL CABLE LENGTH TOLERANCE: ≤12 [305] = +1 [25] / -0 >12 [305] ≤60 [1524] = +2 [51] / -0 >60 [1524] ≤120 [3048] = +4 [102] / -0 >120 [3048] ≤300 [7620] = +6 [152] / -0 >300 [7620] = +5% / -0 ALL OTHER DIMENSIONAL TOLERANCES: .X = ± .2 [5] FRACTIONS ± 1/32 .XX = ± .02 [.5] ANGLES ± 1° .XXX = ± .005 [.13] | APPROVALS | DATE |  50 High Street, West Mill, North Andover, MA 01845 USA. Phone: 1.800.341.5266 1.978.682.6936 | | |
| | DRAWN BY SLI | 03/06/2024 | | CATEGORY USB | |
| | CHECKED BY WLI | 03/06/2024 | | | |
| | APPROVED BY WLI | 03/06/2024 | | | |
| THIRD-ANGLE PROJECTION | CONFIGURATION DETAILS OF UNDIMENSIONED FEATURES MAY VARY | PRODUCT DESCRIPTION CA, USB3.0 A/AF HIGH FLEX DRAG CHAIN | | | |
|  | COLOR VARIATIONS MAY OCCUR | SIZE A | CAGE CODE 43321 | ITEM NO. CAU3HFAX-BLK-L | REV. A |
| | | SCALE: NONE | CAD FILE: CAU3HFAX-BLK-L.SLDDRW | SHEET 1 OF 1 | |