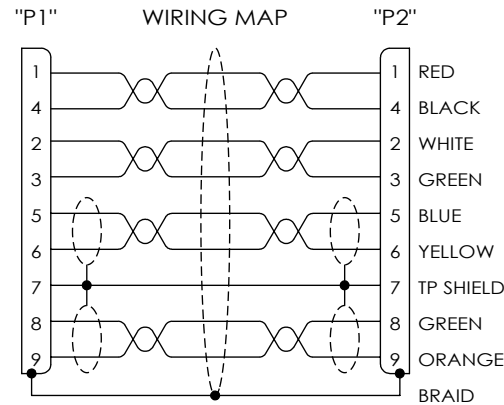
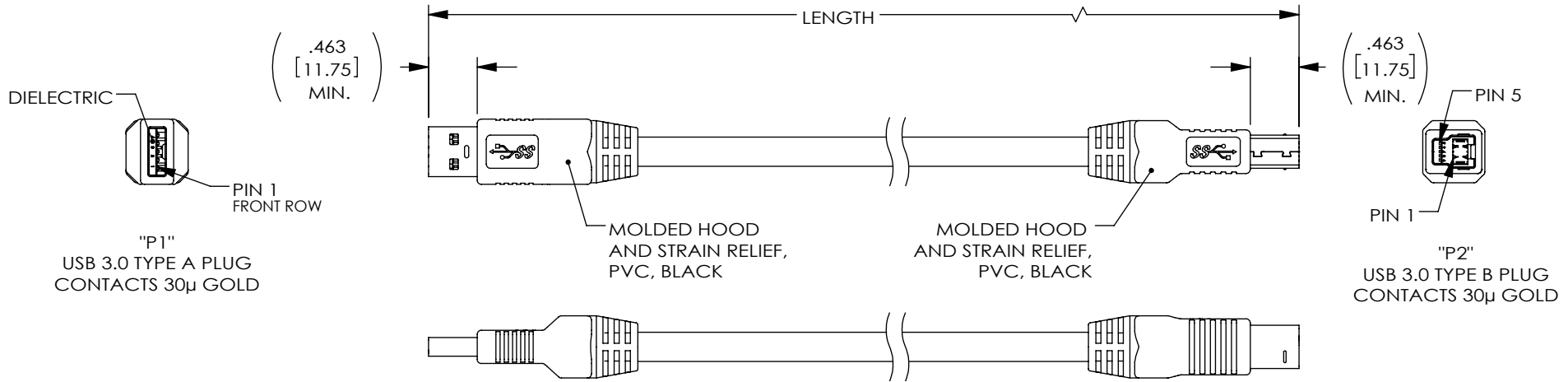


THE INFORMATION CONTAINED IN THIS DRAWING IS THE SOLE PROPERTY OF L-COM, INC. ANY REPRODUCTION IN PART OR WHOLE WITHOUT THE WRITTEN PERMISSION OF L-COM, INC. IS PROHIBITED.

REVISION					
ZONE	REV	DESCRIPTION	DATE	CHANGED BY	APPROVED
	A	INITIAL RELEASE	04/01/2024	SLI	WLI




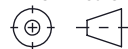
UL STYLE 20276, USB3.0 HIGH FLEX CABLE,  
 (2) TWISTED PAIR, 28AWG WITH ALUM/POLY, DRAIN WIRE AND SPIRAL SHIELD,  
 (1) UNSHIELDED TWISTED PAIR, 26AWG,  
 (1) UNSHIELDED TWISTED PAIR, 22AWG,  
 OVERALL ALUM/POLY AND BRAIDED SHIELD,  
 JACKET: PVC, BLACK  
 (NOM DIA. .276" [7.0]); FLAME RATING: UL VW-1;  
 MIN. FIXED BEND RADIUS: 5X O.D.;  
 MIN. MOVING BEND RADIUS: 10X O.D. )

PART NUMBER	LENGTH METERS [FEET]
CAU3HFAB-BLK-208M	2.8 [9.19]
CAU3HFAB-BLK-3M	3.0 [9.84]
CAU3HFAB-BLK-4M	4.0 [13.12]
CAU3HFAB-BLK-5M	5.0 [16.40]

**NOTES:**

- CABLE TYPE-U DRAG CHAIN TESTING:  
5 MILLION CYCLES MIN. (75mm BEND RADIUS)
- CABLE ASSEMBLY SHALL HAVE 360° SHIELD TERMINATION.
- CABLE ASSEMBLY SHALL BE TESTED FOR CONTINUITY.
- CABLE ASSEMBLY SHALL BE INDIVIDUALLY PACKAGED IN ACCORDANCE WITH L-COM SPECIFICATION PS-0031.

**REGULATORY COMPLIANCE:**  
 EU RoHS DIRECTIVE (MOST RECENT RELEASED VERSION)

UNLESS OTHERWISE SPECIFIED, DIMENSIONS ARE IN INCHES [mm]  OVERALL CABLE LENGTH TOLERANCE: ≤12 [305] = +1 [25] / -0 >12 [305] ≤60 [1524] = +2 [51] / -0 >60 [1524] ≤120 [3048] = +4 [102] / -0 >120 [3048] ≤300 [7620] = +6 [152] / -0 >300 [7620] = +5% / -0  ALL OTHER DIMENSIONAL TOLERANCES: .X = ± .2 [5]   FRACTIONS ± 1/32 .XX = ± .02 [5]   ANGLES ± 1° .XXX = ± .005 [13]	APPROVALS	DATE	 50 High Street, West Mill, North Andover, MA 01845 USA. Phone: 1.800.341.5266 1.978.682.6936	
	DRAWN BY SLI	03/06/2024		CATEGORY  <b>USB</b>
	CHECKED BY WLI	03/06/2024		
	APPROVED BY WLI	03/06/2024		
THIRD-ANGLE PROJECTION	CONFIGURATION DETAILS OF UNDIMENSIONED FEATURES MAY VARY	PRODUCT DESCRIPTION	<b>CA, USB3.0 A/B HIGH FLEX DRAG CHAIN</b>	
	COLOR VARIATIONS MAY OCCUR	SIZE <b>A</b>   CAGE CODE <b>43321</b>   ITEM NO. <b>CAU3HFAB-BLK-L</b>   REV. <b>A</b>	SCALE: NONE   CAD FILE: CAU3HFAB-BLK-L.SLDDRW   SHEET 1 OF 1	