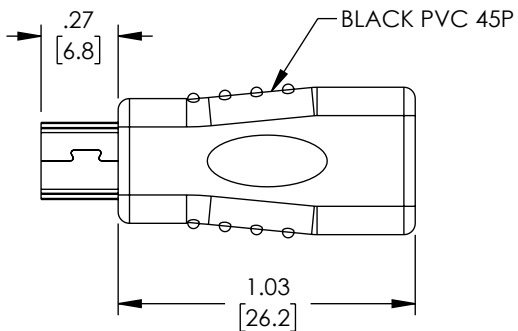
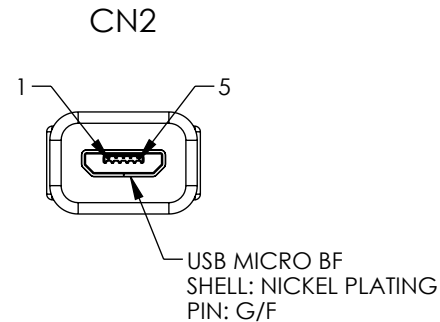
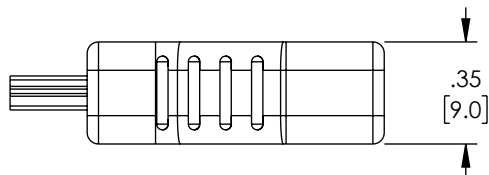
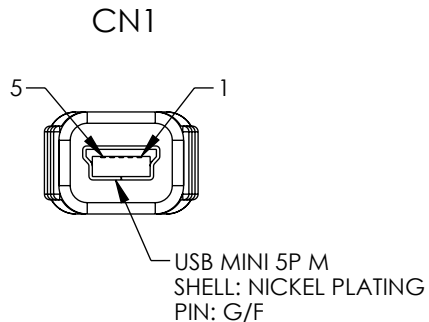
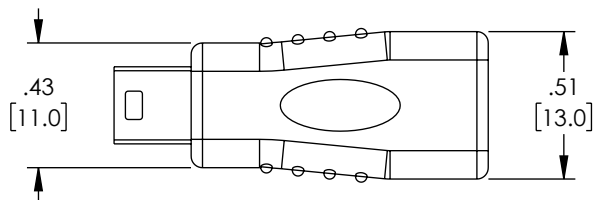


THE INFORMATION CONTAINED IN THIS DRAWING IS THE SOLE PROPERTY OF L-COM, INC. ANY REPRODUCTION IN PART OR WHOLE WITHOUT THE WRITTEN PERMISSION OF L-COM, INC. IS PROHIBITED.

REVISION					
ZONE	REV.	DESCRIPTION	DATE	CHANGED BY	APPROVED BY
	A	INITIAL RELEASE	1/24/2023	DMAY	DGUTTADAURO





PIN ASSIGNMENT

CN1	CN2
01 _____	01 _____
02 _____	02 _____
03 _____	03 _____
04 _____	04 _____
05 _____	05 _____
SHELL _____	SHELL _____

NOTES:
1. COMPONENT SHALL BE INDIVIDUALLY PACKAGED IN ACCORDANCE WITH L-COM SPECIFICATION PS-0031.

REGULATORY COMPLIANCE:
EU RoHS DIRECTIVE (MOST RECENT RELEASED VERSION)

UNLESS OTHERWISE SPECIFIED, DIMENSIONS ARE IN INCHES [mm] OVERALL CABLE LENGTH TOLERANCE: ≤12 [305] = +1 [25] / -0 >12 [305] ≤60 [1524] = +2 [51] / -0 >60 [1524] ≤120 [3048] = +4 [102] / -0 >120 [3048] ≤300 [7620] = +6 [152] / -0 >300 [7620] = +5% / -0 ALL OTHER DIMENSIONAL TOLERANCES: .X = ± .2 [5] FRACTIONS ± 1/32 .XX = ± .02 [.5] ANGLES ± 1° .XXX = ± .005 [.13]	APPROVALS	DATE	 50 High Street, West Mill, North Andover, MA 01845 USA. Phone: 1.800.341.5266 1.978.682.6936				
	DRAWN BY DMAY	1/24/2023					
	CHECKED BY HBAKKE	1/24/2023	CATEGORY AV ADAPTERS				
	APPROVED BY DGUTTADAURO	1/24/2023	PRODUCT DESCRIPTION USB MINI M/MICRO F				
THIRD-ANGLE PROJECTION 	CONFIGURATION DETAILS OF UNDIMENSIONED FEATURES MAY VARY	COLOR VARIATIONS MAY OCCUR	<table border="1"> <tr> <td>SIZE A</td> <td>CAGE CODE 43321</td> <td>ITEM NO. CAU2MINIMICBAD-MF</td> <td>REV. A</td> </tr> </table>	SIZE A	CAGE CODE 43321	ITEM NO. CAU2MINIMICBAD-MF	REV. A
SIZE A	CAGE CODE 43321	ITEM NO. CAU2MINIMICBAD-MF	REV. A				
SCALE: NONE		CAD FILE: CAU2MINIMICBAD-MF.SLDDRW	SHEET 1 OF 1				