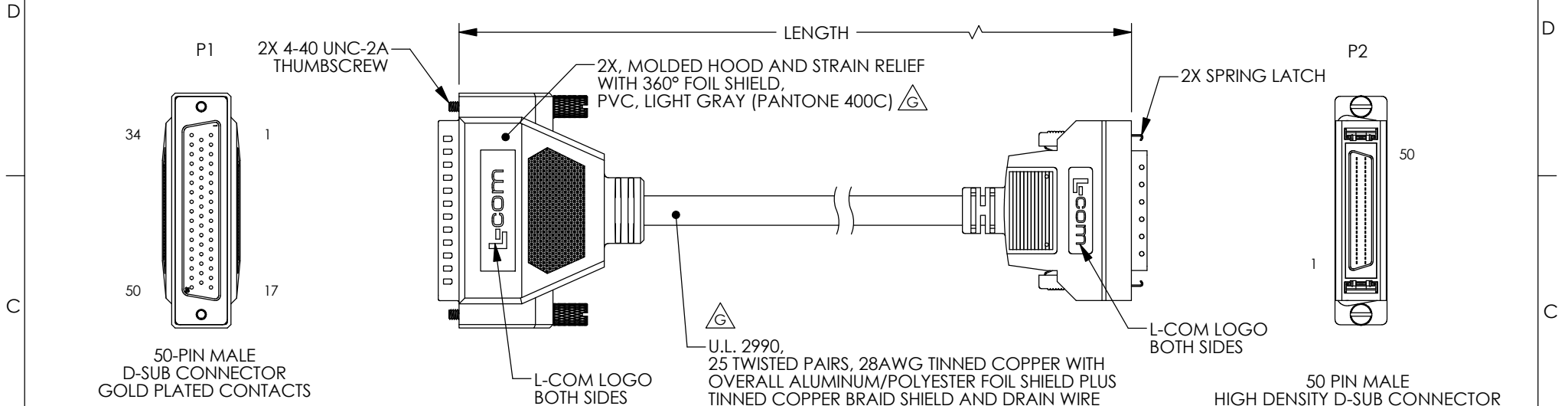


THE INFORMATION CONTAINED IN THIS DRAWING IS THE SOLE PROPERTY OF L-COM, INC. ANY REPRODUCTION IN PART OR WHOLE WITHOUT THE WRITTEN PERMISSION OF L-COM, INC. IS PROHIBITED.

RoHS Compliant ✓

REVISIONS			
REV	DESCRIPTION	DATE	APPROVED
E	ECN 6617: REVISED P2, PACKAGING NOTE, LOGO'S	1/10/13	D.FRISIELLO
F	ECN 6618: REVISE STRAIN RELIEF TO REPRESENT PRESENT MOLD, LOGO	1/11/13	D.FRISIELLO
G	ECN 6648: CHANGED CABLE TO UL2990, CABLE/MOLDS TO LT. GRAY (400C)	2/1/13	D. DESJARDIN



50-PIN MALE D-SUB CONNECTOR GOLD PLATED CONTACTS

50 PIN MALE HIGH DENSITY D-SUB CONNECTOR (.050" (1.27MM) PIN SPACING GOLD PLATED CONTACTS

P1 PIN #	PAIR	P2 PIN #	P1 PIN #	PAIR	P2 PIN #
1	1	1	2	14	27
18		2	19		28
35		3	36		29
3	2	4	4	15	30
20		5	21		31
37	3	6	38	16	32
5		7	6		17
22	4	8	23	17	34
39		9	40		18
7	5	10	8	18	36
24		11	25		19
41	6	12	42	19	38
9		13	10		20
26	7	14	27	20	40
43		15	44		21
11	8	16	12	21	42
28		17	29		22
45	9	18	46	22	44
13		19	14		23
30	10	20	31	23	46
47		21	48		24
15	11	22	16	24	48
32		23	33		25
49	12	24	50	25	50
17		25	SHELL		DRAIN
34	13	26			

NOTES:

- INTERNAL 360° FOIL SHIELDS ON HOODS ARE SOLDERED TO CONNECTOR FRAMES AND CABLE DRAIN WIRE.
- CABLE SHALL BE TESTED FOR CONTINUITY.
- CABLE SHALL BE INDIVIDUALLY PACKAGED IN ACCORDANCE WITH L-COM SPECIFICATION PS-0031.

PART NUMBER	LENGTH	
	METERS	FEET
CA805-05M	0.5	1.64
CA805-1M	1.0	3.28
CA805-2M	2.0	6.56

UNLESS OTHERWISE SPECIFIED, DIMENSIONS ARE IN INCHES [mm] OVERALL CABLE LENGTH TOLERANCE: $\leq 12$ [305] = +1 [25] / -0 $>12$ [305] $\leq 60$ [1524] = +2 [51] / -0 $>60$ [1524] $\leq 120$ [3048] = +4 [102] / -0 $>120$ [3048] $\leq 300$ [7620] = +6 [152] / -0 $>300$ [7620] = +3% / -0% ALL OTHER DIMENSIONAL TOLERANCES: .X = ±.2 .XX = ±.02 .XXX = ±.005	APPROVALS DRAWN BY TJC CHECKED BY DFP APPROVED BY CM	DATE 9/19/01 9/19/01 9/21/01	45 BEECHWOOD DRIVE NORTH ANDOVER, MA 01845	
	CONFIGURATION DETAILS OF UNDIMENSIONED FEATURES MAY VARY			CATEGORY DATA CABLING
	PROJECTION 	COLOR VARIATIONS MAY OCCUR	SIZE <b>A</b>	PRODUCT DESCRIPTION SCSI-2 HPDB50 M/DB50 M
	REF	FSCM NO. <b>43321</b>	DWG. NO. CA805-M	REV. <b>G</b>

SCALE: NONE | CAD FILE: CA805-M.SLDDRW | SHEET 1 OF 1