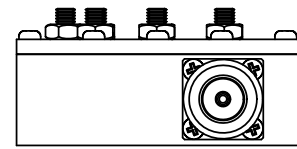
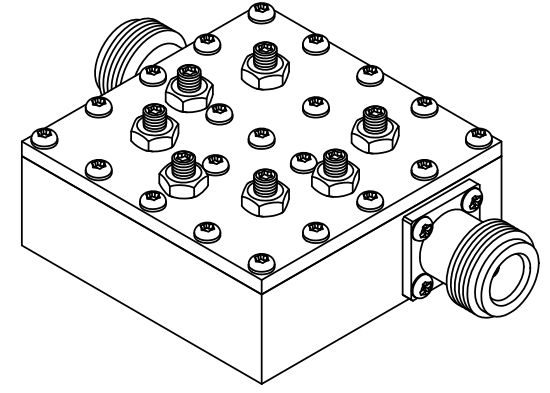
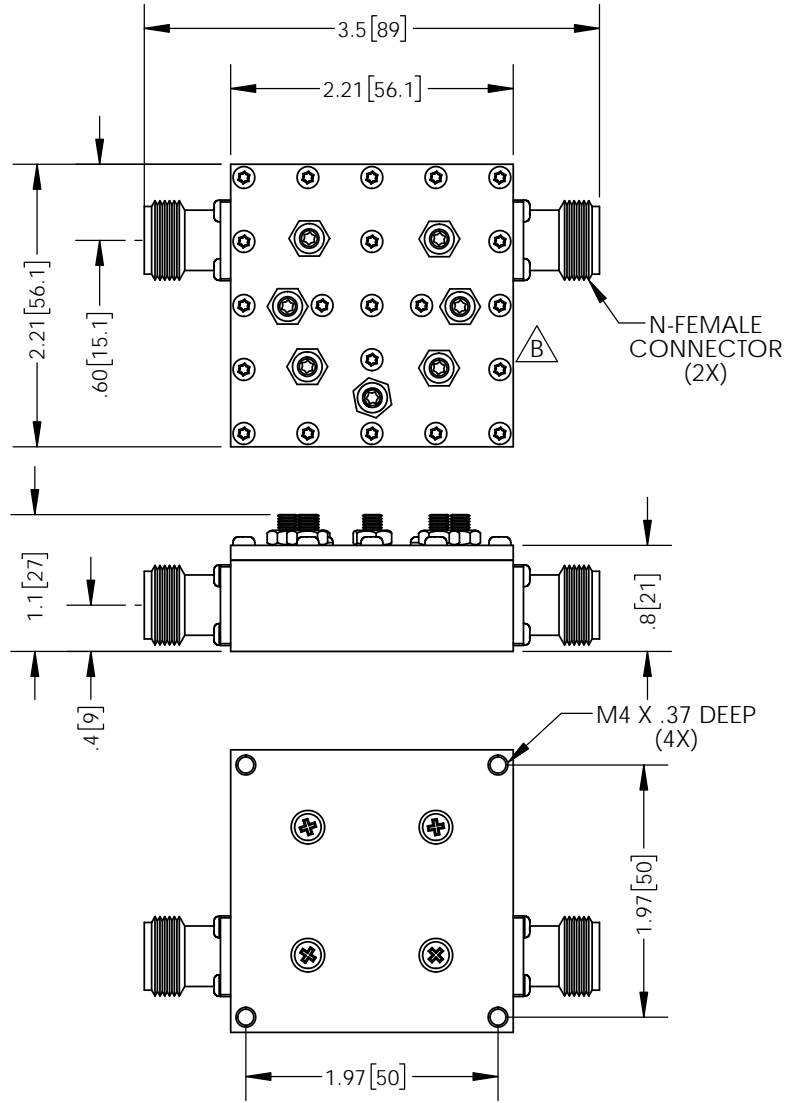


THE INFORMATION CONTAINED IN THIS DRAWING IS THE SOLE PROPERTY OF L-COM, INC. ANY REPRODUCTION IN PART OR WHOLE WITHOUT THE WRITTEN PERMISSION OF L-COM, INC. IS PROHIBITED.

REVISIONS			
REV	DESCRIPTION	DATE	APPROVED
A	INITIAL RELEASE	03/08/2016	BPUCHASKI
B	ECN 9395 UPDATE HEX NUT AND SCREW HEAD ALIGNMENT, TYPE TO TORX	09/07/2018	BPUCHASKI



NOTES:
 PACKAGING:
 COMPONENT SHALL BE PACKAGED IN ACCORDANCE WITH L-COM SPEC PKG-00012
 -ALL DIMENSIONS FOR REFERENCE-
REGULATORY COMPLIANCE:
 CE2011/65/EU(RoHS DIRECTIVE)

UNLESS OTHERWISE SPECIFIED, DIMENSIONS ARE IN INCHES [mm] DIMENSIONAL TOLERANCES: .X = ±.1 [2.54] .XX = ±.01 [.25] .XXX = ±.005 [.13] ANGULAR TOLERANCES: ALL = ± 1°	APPROVALS	DATE	 50 HIGH STREET NORTH ANDOVER, MA 01845				
	DRAWN BY BPUCHASKI	03/01/2016			CATEGORY	COAXIAL	
	CHECKED BY K.BURGNER	03/01/2016	PRODUCT DESCRIPTION		REV. B		
	APPROVED BY P.PESA	03/01/2016	2.4GHz 4 POLE INDOOR BANDPASS FILTER CHANNEL 6, 2437MHz				
PROJECTION 	COLOR VARIATIONS MAY OCCUR	SIZE A	CAGE CODE 43321	DWG. NO. BPF24-406	SCALE: NONE	CAD FILE: BPF24-406.SLDDRW	SHEET 1 OF 1