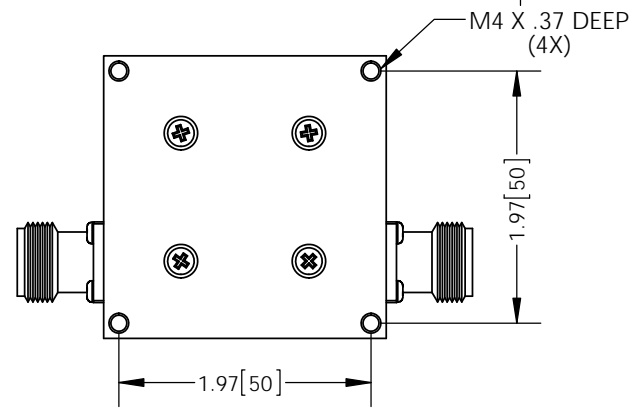
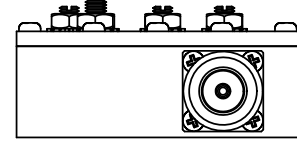
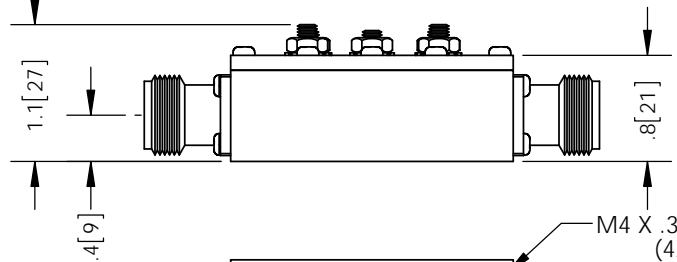
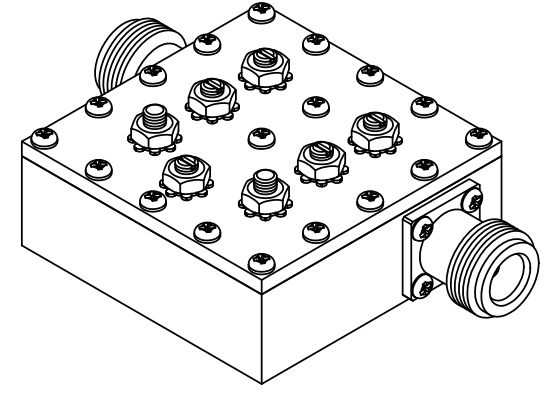
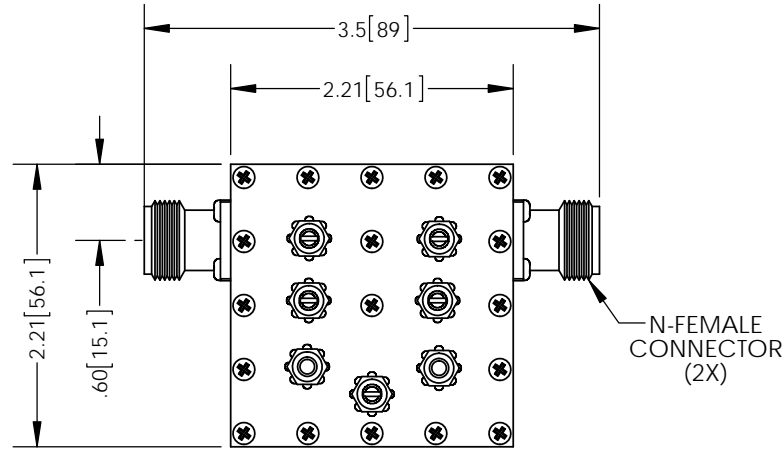


THE INFORMATION CONTAINED IN THIS DRAWING IS THE SOLE PROPERTY OF L-COM, INC. ANY REPRODUCTION IN PART OR WHOLE WITHOUT THE WRITTEN PERMISSION OF L-COM, INC. IS PROHIBITED.

REVISIONS			
REV	DESCRIPTION	DATE	APPROVED
A	INITIAL RELEASE	3/8/16	D.GRIFFIN



**NOTES:**  
 PACKAGING:  
 COMPONENT SHALL BE PACKAGED IN ACCORDANCE WITH L-COM SPEC PKG-00012

-ALL DIMENSIONS FOR REFERENCE-

**REGULATORY COMPLIANCE:**  
 CE2011/65/EU(RoHS DIRECTIVE)

UNLESS OTHERWISE SPECIFIED, DIMENSIONS ARE IN INCHES [mm]  DIMENSIONAL TOLERANCES: .X = ±.1 [2.54] .XX = ±.01 [.25] .XXX = ±.005 [.13]  ANGULAR TOLERANCES: ALL = ± 1°	APPROVALS	DATE			45 BEECHWOOD DRIVE NORTH ANDOVER, MA 01845	
	DRAWN BY B.PUCHASKI	03/01/16			CATEGORY	
	CHECKED BY K.BURGNER	03/01/16	PRODUCT DESCRIPTION		2.4GHz 4 POLE INDOOR BANDPASS FILTER, CHANNEL 1, 2412MHz	
	APPROVED BY P.PESA	03/01/16	SIZE	FSCM NO.	DWG. NO.	REV.
	COLOR VARIATIONS MAY OCCUR	A	43321	BPF24-401	A	
SCALE: NONE		CAD FILE: BPF24-401.SLDDRW		SHEET 1 OF 1		