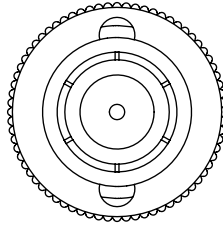
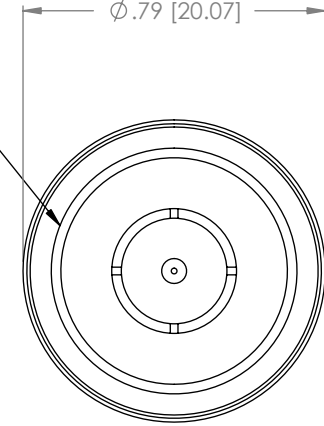
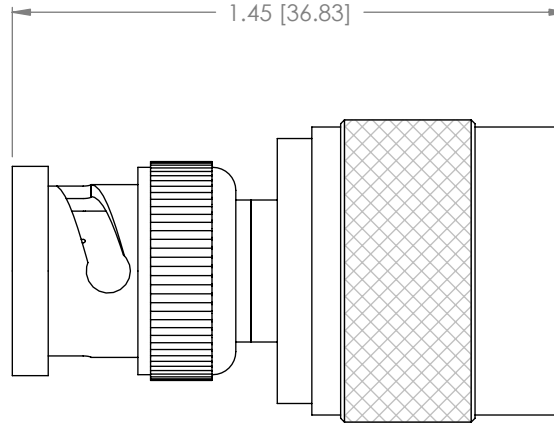


THE INFORMATION CONTAINED IN THIS DRAWING IS THE SOLE PROPERTY OF L-COM, INC. ANY REPRODUCTION IN PART OR WHOLE WITHOUT THE WRITTEN PERMISSION OF L-COM, INC. IS PROHIBITED.

REVISIONS			
REV	DESCRIPTION	DATE	CHANGED BY
A	INITIAL RELEASE	03/24/03	MCCORMICK
B	ECN 3192: UPDATE DWG FORMAT	2/6/08	D.GRIFFIN



BNC PLUG



TYPE N PLUG

5/8-24 UNEF

NOTES:

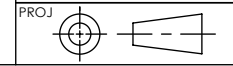
MATERIAL:
 BODY: BRASS
 INSULATOR: PTFE
 CONTACT: BRASS

FINISH:
 BODY: NICKEL PLATE
 CONTACT: GOLD PLATE

PACKAGING:
 INDIVIDUALLY PACKAGE IN A POLYBAG

RoHS Compliant ✓

UNLESS OTHERWISE SPECIFIED,
 DIMENSIONS ARE IN INCHES [mm]
 TOLERANCES TO BE:
 .X ±.1 [2.5] ANGLES ±2°
 .XX ±.01 [.25]
 .XXX ±.005 [.13]
 OVERALL CABLE LENGTH TOL:
 ≤ 60 [1524] +3 [76.2] / -0
 > 60 [1524] +5% / -0%



APPROVALS	DATE
DRAWN BY C.MCCORMICK	03/24/2003
CHECKED BY D.PARHAM	03/24/2003
APPROVED BY R.CARRICK	03/24/2003

CONFIGURATION DETAILS OF
 UNDIMENSIONED FEATURES
 MAY VARY

	45 BEECHWOOD DRIVE NORTH ANDOVER, MA 01845		
	CATEGORY COAXIAL		
PRODUCT DESCRIPTION BNC PLUG TO TYPE N PLUG			
SIZE A	FSCM NO. 43321	DWG. NO. BN107	REV. B
SCALE: NONE CAD FILE: BN107.SLDDRW			SHEET 1 OF 1