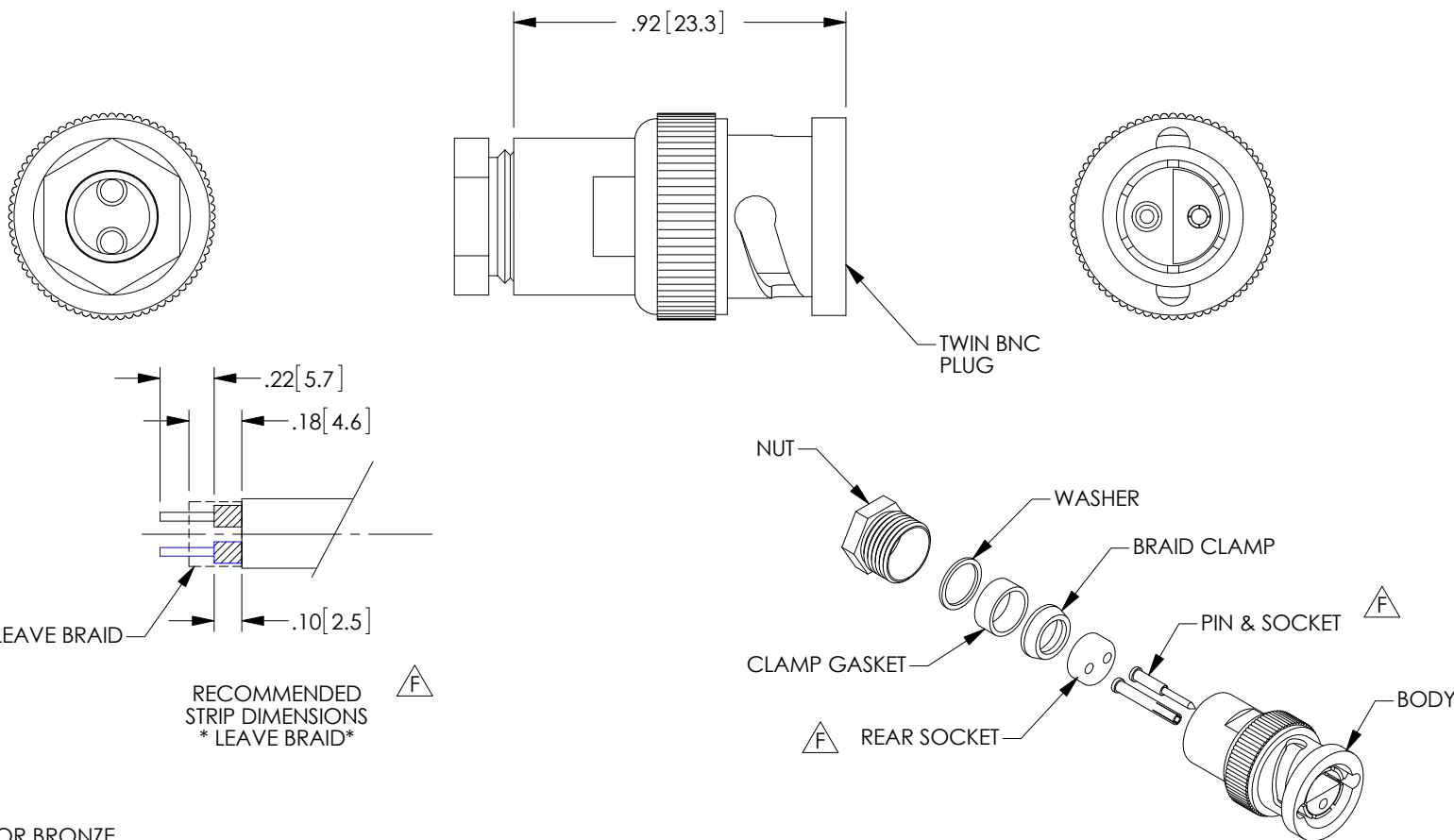


THE INFORMATION CONTAINED IN THIS DRAWING IS THE SOLE PROPERTY OF L-COM, INC. ANY REPRODUCTION IN PART OR WHOLE WITHOUT THE WRITTEN PERMISSION OF L-COM, INC. IS PROHIBITED.

REVISIONS			
REV	DESCRIPTION	DATE	APPROVED
E	ECN 8310: ADDED INDIVIDUALLY PACKAGED NOTE, NEW FORMAT	4/8/16	D.FRISIELLO
F	ECN 8848: REVISED COMPONENTS PER VENDOR, STRIPPING DIMS.	7/11/17	D.FRISIELLO



NOTES:

MATERIAL:

BODY: BRASS
 DIELECTRIC: PTFE
 CENTER PINS: PHOSPHOR BRONZE
 BRAID CLAMP: BRASS
 WASHER: BRASS
 NUT: BRASS

FINISH:

BODY: NICKEL PLATE
 CENTER PINS: GOLD PLATE
 BRAID CLAMP: NICKEL PLATE
 WASHER: NICKEL PLATE
 NUT: NICKEL PLATE

COMPONENT SHALL BE INDIVIDUALLY PACKAGED IN ACCORDANCE WITH L-COM SPECIFICATION PS-0031.

REGULATORY COMPLIANCE:
 CE2011/65/EU(RoHS DIRECTIVE)

UNLESS OTHERWISE SPECIFIED, DIMENSIONS ARE IN INCHES [mm] OVERALL CABLE LENGTH TOLERANCE: ≤12 [305] = +1 [25] / -0 >12 [305] ≤60 [1524] = +2 [51] / -0 >60 [1524] ≤120 [3048] = +4 [102] / -0 >120 [3048] ≤300 [7620] = +6 [152] / -0 >300 [7620] = +5% / -0% ALL OTHER DIMENSIONAL TOLERANCES: .X = ±.2 [5.08] .XX = ±.02 [51] .XXX = ±.005 [1.27]	APPROVALS DRAWN BY MCCORMICK	DATE 08/23/01	50 HIGH STREET NORTH ANDOVER, MA 01845		
	CHECKED BY ENG	08/23/01		CATEGORY COAXIAL	
	APPROVED BY R.CARRICK	08/30/01	PRODUCT DESCRIPTION CONN TWIN BNC M TWINAXIAL CA		
	PROJECTION 	COLOR VARIATIONS MAY OCCUR	SIZE A	FSCM NO. 43321	DWG. NO. BAC928
REF	SCALE: NONE	CAD FILE: BAC928.SLDDRW	SHEET 1 OF 1		