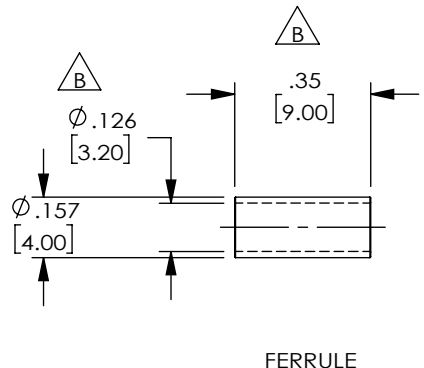
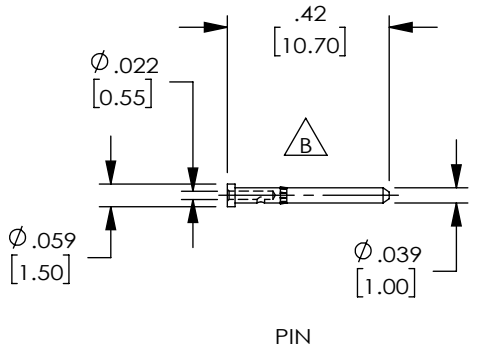


THE INFORMATION CONTAINED IN THIS DRAWING IS THE SOLE PROPERTY OF L-COM, INC. ANY REPRODUCTION IN PART OR WHOLE WITHOUT THE WRITTEN PERMISSION OF L-COM, INC. IS PROHIBITED.

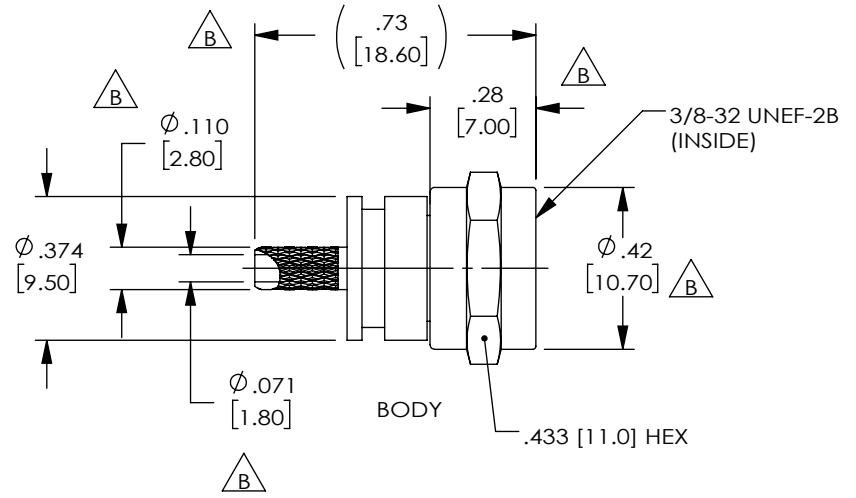
REVISIONS			
REV	DESCRIPTION	DATE	APPROVED
A	INITIAL RELEASE	3/30/09	D.GRIFFIN
B	ECN 9773: UPDATE DIM'S, ADD MATERIAL AND TORQUE	4/2/19	SLI



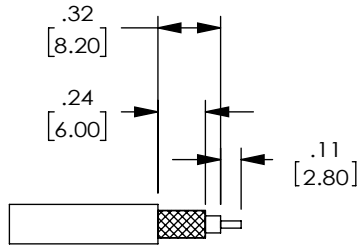
FERRULE



PIN



BODY



RECOMMENDED CABLE STRIPPING

**NOTES:**

**MATERIAL:**  
 BODY, FERRULE: BRASS  
 CENTER PIN: BRASS  
 INSULATOR: PTFE

**FINISH:**  
 BODY, FERRULE: NICKEL PLATED  
 CENTER PIN: GOLD FLASH

**MISCELLANEOUS:**  
 IMPEDANCE: 75 OHM  
 APPLICATION: RG179/U, RG187A/U  
 RECOMMENDED HEX CRIMP TOOL SIZE: .128 IN [3.25mm]  
 COUPLING TORQUE: 2.5N.m MIN.  
 ALL DIMENSIONS ARE FOR REFERENCE ONLY.  
 COMPONENT SHALL BE INDIVIDUALLY PACKAGED IN A POLY BAG.

**REGULATORY COMPLIANCE:**  
 EU RoHS DIRECTIVE (MOST RECENT RELEASED VERSION)

UNLESS OTHERWISE SPECIFIED, DIMENSIONS ARE IN INCHES [mm]  DIMENSIONAL TOLERANCES: .X = ±.1 [2.54] .XX = ±.01 [.25] .XXX = ±.005 [.13]  ANGULAR TOLERANCES: ALL = ± 1°  PROJECTION 	APPROVALS DRAWN BY D.FRISIELLO CHECKED BY D.CASTRO APPROVED BY D.DOLCE	DATE 3/25/09 3/25/09 3/25/09	 50 HIGH STREET NORTH ANDOVER, MA 01845	
	CATEGORY COAXIAL		PRODUCT DESCRIPTION TYPE F CRIMP MALE FOR RG179, RG187A	
	CONFIGURATION DETAILS OF UNDIMENSIONED FEATURES MAY VARY	COLOR VARIATIONS MAY OCCUR	SIZE <b>A</b>	FSCM NO. <b>43321</b>
	DWG. NO. BAC538	REV. <b>B</b>	SCALE: NONE CAD FILE: BAC538.SLDDRW	SHEET 1 OF 1