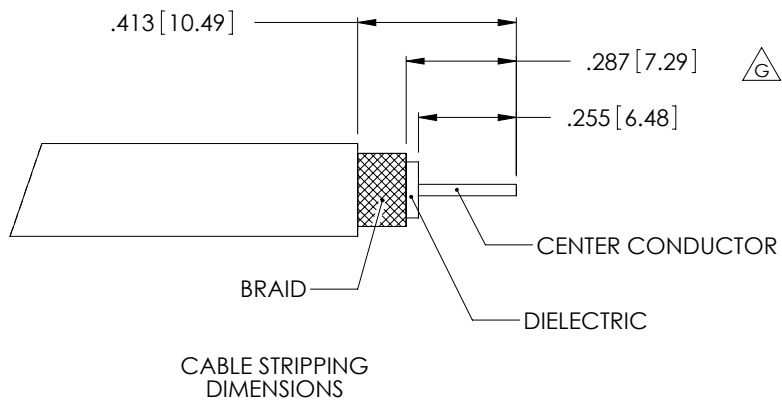
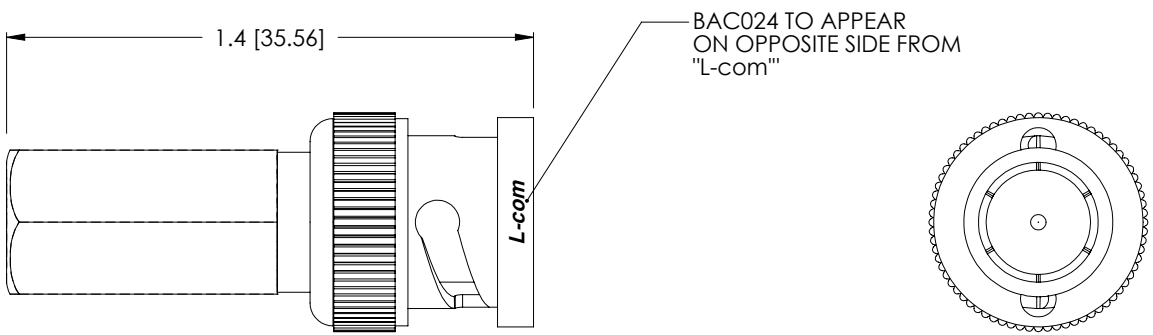
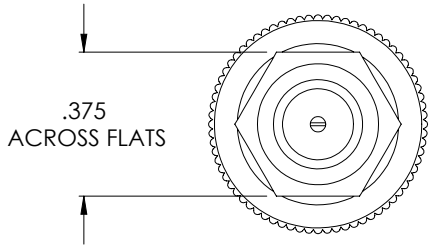


THE INFORMATION CONTAINED IN THIS DRAWING IS THE SOLE PROPERTY OF L-COM, INC. ANY REPRODUCTION IN PART OR WHOLE WITHOUT THE WRITTEN PERMISSION OF L-COM, INC. IS PROHIBITED.

REVISIONS			
REV	DESCRIPTION	DATE	APPROVED
F	ECN 3139: UPDATE DWG FORMAT	1/8/08	D.GRIFFIN
G	ECN5204: CORRECTED EXT LINE FOR .255 DIM. UPDATED PKG NOTE & FORMAT	12/10/10	DFP



NOTES:

MATERIAL:

BODY: DIECAST
 FERRULE: BRASS OR COPPER ALLOY
 PIN: BRASS
 INSULATOR: ACETAL

FINISH:

BODY: NICKEL PLATE
 FERRULE: NICKEL PLATE
 PIN: GOLD PLATE

ELECTRICAL:

IMPEDANCE: 75 OHM

PACKAGING:

INDIVIDUALLY PACKAGE EACH CONNECTOR IN ACCORDANCE WITH L-COM SPECIFICATION PS-0031.

APPLICATION:

RG59 COAXIAL CABLE

TERMINATION:

TO INSTALL PLUG, INSERT STRIPPED CABLE END INTO REAR OF PLUG, PLACING CENTER CONDUCTOR INTO SPRING SLOT IN PIN. TWIST THE PLUG CLOCKWISE WHILE PUSHING THE CABLE INTO PLUG. 2-1/2 TO 3 TURNS ARE NEEDED TO PROVIDE A RELIABLE TERMINATION.

RoHS Compliant ✓

UNLESS OTHERWISE SPECIFIED, DIMENSIONS ARE IN INCHES [mm] OVERALL CABLE LENGTH TOLERANCE: ≤12 [305] = +1 [25] / -0 >12 [305] ≤60 [1524] = +2 [51] / -0 >60 [1524] ≤120 [3048] = +4 [102] / -0 >120 [3048] ≤300 [7620] = +6 [152] / -0 >300 [7620] = +3% / -0%	APPROVALS	DATE		45 BEECHWOOD DRIVE NORTH ANDOVER, MA 01845
	DRAWN BY T.CLARK	03/07/2001		
ALL OTHER DIMENSIONAL TOLERANCES: .X = ±.2 .XX = ±.02 .XXX = ±.005	CHECKED BY D.PARHAM	03/09/2001	CATEGORY COAXIAL	
	APPROVED BY C.MCCORMICK	03/10/2001	PRODUCT DESCRIPTION CONN 75 OHM BNC M RG59 TWIST	
PROJECTION 	CONFIGURATION DETAILS OF UNDIMENSIONED FEATURES MAY VARY	COLOR VARIATIONS MAY OCCUR	SIZE A	FSCM NO. 43321
			DWG. NO. BAC024	REV. G
			SCALE: NONE	CAD FILE: BAC024.SLDDRW
				SHEET 1 OF 1