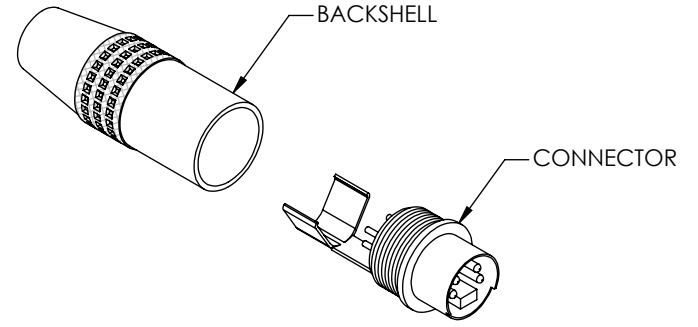
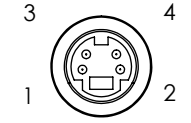
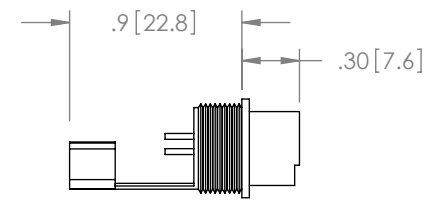
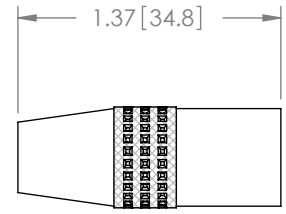
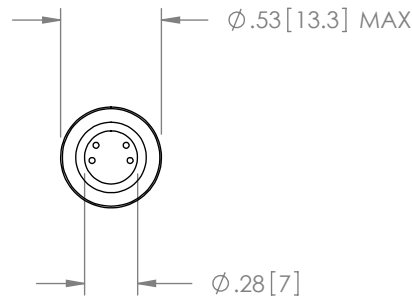


THE INFORMATION CONTAINED IN THIS DRAWING IS THE SOLE PROPERTY OF L-COM, INC. ANY REPRODUCTION IN PART OR WHOLE WITHOUT THE WRITTEN PERMISSION OF L-COM, INC. IS PROHIBITED.

REVISIONS			
REV	DESCRIPTION	DATE	APPROVED
E	ECN 4526: BACKSHELL: BRASS, ANODIZED FINISH WAS ALUM ANODIZE FINISH	1/28/10	D. CASTRO
-	-	-	-
-	-	-	-
-	-	-	-



NOTES:

1. CONNECTOR: GOLD PLATED
2. BACKSHELL: BRASS, ANODIZED FINISH
3. ALL DIMENSIONS ARE FOR REFERENCE ONLY
4. CONNECTOR SHALL BE INDIVIDUALLY PACKAGED IN ACCORDANCE WITH L-COM PACKAGING SPEC. PS-0031.

UNLESS OTHERWISE SPECIFIED, DIMENSIONS ARE IN INCHES [mm]	APPROVALS	DATE			45 BEECHWOOD DRIVE NORTH ANDOVER, MA 01845	
	DRAWN BY MCCORMICK	12/18/01			CATEGORY AUDIO/VIDEO	
DIMENSIONAL TOLERANCES: .X = ±.1 .XX = ±.01 .XXX = ±.005	CHECKED BY D.PARHAM	12/18/01	PRODUCT DESCRIPTION MALE MINI-DIN 4 ASSEMBLED			
	APPROVED BY R.CARRICK	12/18/01				
ANGULAR TOLERANCES: ALL = ± 1°	CONFIGURATION DETAILS OF UNDIMENSIONED FEATURES MAY VARY		SIZE A	FSCM NO. 43321	DWG. NO. BAC-MD4M	REV. E
PROJECTION 	COLOR VARIATIONS MAY OCCUR		SCALE: NONE	CAD FILE: BAC-MD4M.SLDDRW		SHEET 1 OF 1