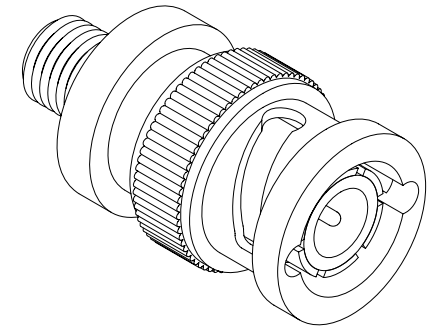
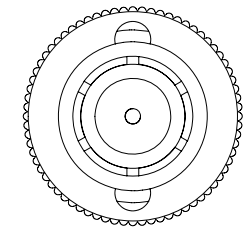
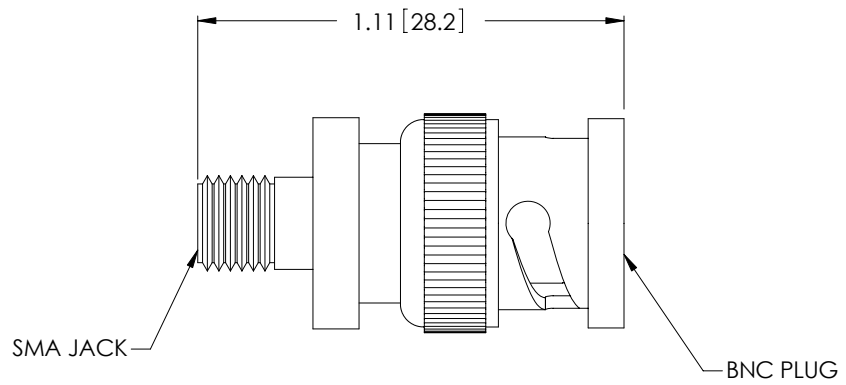
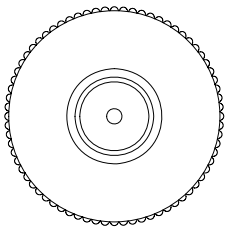


THE INFORMATION CONTAINED IN THIS DRAWING IS THE SOLE PROPERTY OF L-COM, INC. ANY REPRODUCTION IN PART OR WHOLE WITHOUT THE WRITTEN PERMISSION OF L-COM, INC. IS PROHIBITED.

REVISIONS			
REV	DESCRIPTION	DATE	APPROVED
A	RELEASED FOR PRODUCTION	08/22/01	MCCORMICK
B	ECN 2813: REFORMATED DWG. ADDED 50Ω NOTES AND INSULATOR DETAIL	4/13/07	J. KIEZULAS



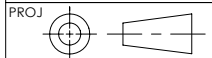
NOTES:

MATERIAL:
 BODY: BRASS
 INSULATORS: PTFE
 CONTACTS: COPPER ALLOY

FINISH:
 BODY: NICKEL PLATE
 CONTACTS: GOLD PLATE OVER NICKEL PLATE

MISCELLANEOUS:
 IMPEDANCE: 50Ω

DIMENSIONS ARE IN INCHES [mm]
 UNLESS OTHERWISE SPECIFIED,
 TOLERANCES TO BE:
 .X ±.1 [2.5] ANGLES ±2°
 .XX ±.05 [1.27]
 .XXX ±.010 [.25]
 OVERALL CABLE LENGTH TOL:
 ≤ 60 [1524] +3 [76.2] / - 0
 > 60 [1524] +5% / -0%



APPROVALS	DATE
DRAWN BY MCCORMICK	08/20/01
CHECKED BY ENG	08/20/01
APPROVED BY R.CARRICK	08/22/01

CONFIGURATION DETAILS OF
 UNDIMENSIONED FEATURES
 MAY VARY

		45 BEECHWOOD DRIVE NORTH ANDOVER, MA 01845	
CATEGORY COAXIAL			
PRODUCT DESCRIPTION SMA JACK TO BNC PLUG, 50Ω			
SIZE A	FSCM NO. 43321	DWG. NO. BA38-OD1	REV. B
SCALE: NONE CAD FILE: BA38-OD1.SLDDRW			SHEET 1 OF 1