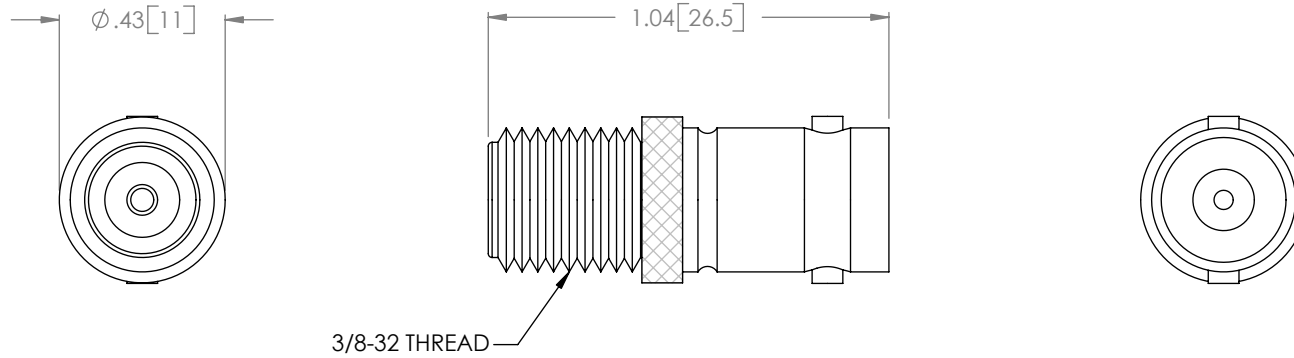


THE INFORMATION CONTAINED IN THIS DRAWING IS THE SOLE PROPERTY OF L-COM, INC. ANY REPRODUCTION IN PART OR WHOLE WITHOUT THE WRITTEN PERMISSION OF L-COM, INC. IS PROHIBITED.

REVISIONS			
REV	DESCRIPTION	DATE	CHANGED BY
A	RELEASED FOR PRODUCTION	03/27/02	MCCORMICK
B	ECN 3124: UPDATE DWG FORMAT	12/19/07	D.GRIFFIN



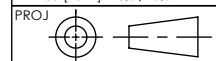
NOTES:

MATERIAL:
 BODY: BRASS
 DIELECTRIC: DELRIN
 CONTACTS: PHOSPHOR BRASS

FINISH:
 BODY: NICKEL
 CONTACTS: GOLD

RoHS Compliant ✓

UNLESS OTHERWISE SPECIFIED,
 DIMENSIONS ARE IN INCHES [mm]
 TOLERANCES TO BE:
 .X ±.1 [2.5] ANGLES ±2°
 .XX ±.01 [.25]
 .XXX ±.005 [.13]
 OVERALL CABLE LENGTH TOL:
 ≤ 60 [1524] +3 [76.2] / -0
 > 60 [1524] +5% / -0%



APPROVALS		DATE
DRAWN BY	MCCORMICK	01/22/02
CHECKED BY	01/22/02	01/22/02
APPROVED BY	R.CARRICK	01/22/02

CONFIGURATION DETAILS OF
 UNDIMENSIONED FEATURES
 MAY VARY

L-com 45 BEECHWOOD DRIVE
 CONNECTIVITY PRODUCTS NORTH ANDOVER, MA
 01845

CATEGORY COAXIAL

PRODUCT DESCRIPTION
 BNC JACK TO F JACK

SIZE	FSCM NO.	DWG. NO.	REV.
A	43321	BA220	B

SCALE: NONE | CAD FILE: BA220.SLDDRW | SHEET 1 OF 1