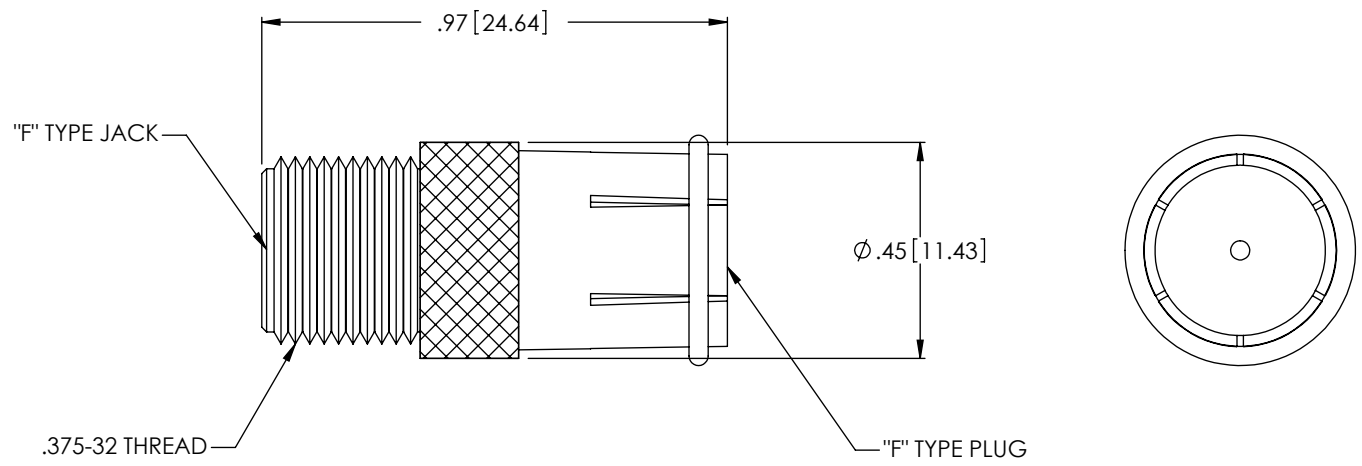


THE INFORMATION CONTAINED IN THIS DRAWING IS THE SOLE PROPERTY OF L-COM, INC. ANY REPRODUCTION IN PART OR WHOLE WITHOUT THE WRITTEN PERMISSION OF L-COM, INC. IS PROHIBITED.

REVISIONS			
REV	DESCRIPTION	DATE	APPROVED
E	ECN 3119: UPDATE DWG FORMAT	12/18/07	D.GRIFFIN
F	ECN 6103: UPDATE DWG FORMAT, ADD PACKAGING, ADD IMPEDANCE	4/19/12	D. DESJARDIN



**NOTES:**

**IMPEDANCE:**  
75 OHMS

**MATERIAL:**  
BODY: BRASS  
PIN: BRASS  
INSULATOR: POLYPROPYLENE

**FINISH:**  
BODY: NICKEL PLATE  
PIN: NICKEL PLATE

**MISCELLANEOUS:**  
ADAPTER SHALL BE INDIVIDUALLY PACKAGED IN ACCORDANCE WITH L-COM SPECIFICATION PS-0031.

**RoHS Compliant** ✓

UNLESS OTHERWISE SPECIFIED, DIMENSIONS ARE IN INCHES [mm] OVERALL CABLE LENGTH TOLERANCE: ≤12 [305] = +1 [25] / -0 >12 [305] ≤60 [1524] = +2 [51] / -0 >60 [1524] ≤120 [3048] = +4 [102] / -0 >120 [3048] ≤300 [7620] = +6 [152] / -0 >300 [7620] = +3% / -0% ALL OTHER DIMENSIONAL TOLERANCES: .X = ±.2 .XX = ±.02 .XXX = ±.005	APPROVALS DRAWN BY C.MCCORMICK	DATE 01/21/2002		45 BEECHWOOD DRIVE NORTH ANDOVER, MA 01845
	CHECKED BY D.PARHAM	DATE 01/21/2002		CATEGORY COAXIAL
APPROVED BY R.CARRICK	DATE 01/21/2002	PRODUCT DESCRIPTION ADAPTOR F M PUSH ON/F F		
PROJECTION 	CONFIGURATION DETAILS OF UNDIMENSIONED FEATURES MAY VARY	COLOR VARIATIONS MAY OCCUR	SIZE <b>A</b>	FSCM NO. <b>43321</b>
		DWG. NO. <b>BA124</b>	REV. <b>F</b>	SCALE: NONE   CAD FILE: BA124.SLDDRW   SHEET 1 OF 1