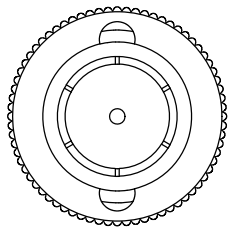


THE INFORMATION CONTAINED IN THIS DRAWING IS THE SOLE PROPERTY OF L-COM, INC. ANY REPRODUCTION IN PART OR WHOLE WITHOUT THE WRITTEN PERMISSION OF L-COM, INC. IS PROHIBITED.

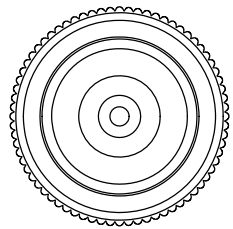
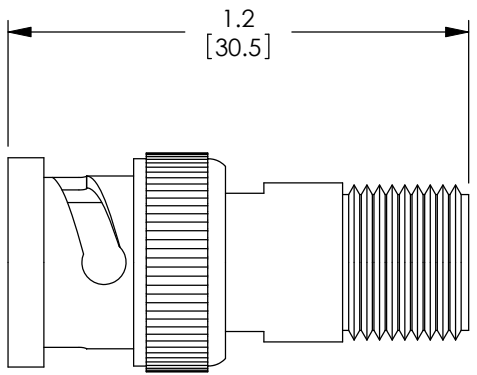
REVISIONS			
REV	DESCRIPTION	DATE	APPROVED
E	ECN 3112: UPDATE DWG FORMAT	12/12/07	D.GRIFFIN
F	ECN 6056: REVISED DESCRIPTION, NEW FORMAT AND PACKAGING NOTE	3/28/12	D.FRISIELLO



DESCRIPTION	MATERIAL	FINISH
CONNECTOR BODY	BRASS	NICKEL PLATED
CENTER CONTACTS	BRASS	GOLD PLATED



BNC MALE



'F' TYPE FEMALE

RoHS Compliant ✓



NOTES:

- CHARACTERISTIC IMPEDANCE: 75 OHMS
- COMPONENT SHALL BE INDIVIDUALLY PACKAGED IN ACCORDANCE WITH L-COM SPECIFICATION PS-0031.



UNLESS OTHERWISE SPECIFIED, DIMENSIONS ARE IN INCHES [mm] OVERALL CABLE LENGTH TOLERANCE: ≤ 12 [305] = +1 [25] / -0 >12 [305] ≤ 60 [1524] = +2 [51] / -0 >60 [1524] ≤ 120 [3048] = +4 [102] / -0 >120 [3048] ≤ 300 [7620] = +6 [152] / -0 >300 [7620] = +3% / -0% ALL OTHER DIMENSIONAL TOLERANCES: .X = ± .2 .XX = ± .02 .XXX = ± .005	APPROVALS DRAWN BY D.PARHAM CHECKED BY T. CLARK APPROVED BY C.MCCORMICK	DATE 03/19/02 03/19/02 03/20/02	45 BEECHWOOD DRIVE NORTH ANDOVER, MA 01845
	CONFIGURATION DETAILS OF UNDIMENSIONED FEATURES MAY VARY		
PROJECTION 	COLOR VARIATIONS MAY OCCUR	SIZE A	FSCM NO. 43321
REF	DWG. NO. BA017	SCALE: NONE	DWG. NO. BA017
REF	CAD FILE: BA017.SLDDRW	SHEET 1 OF 1	REV. F