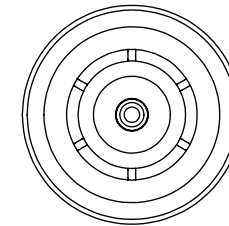
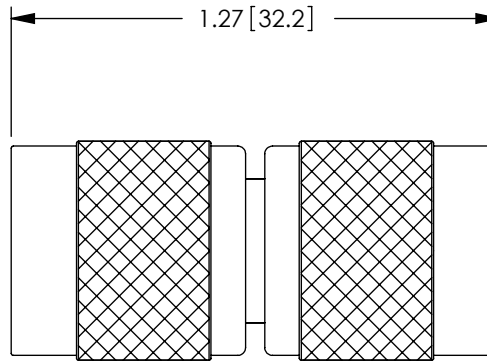
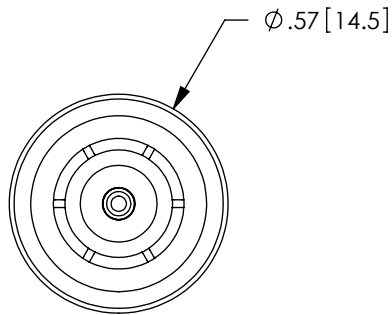


THE INFORMATION CONTAINED IN THIS DRAWING IS THE SOLE PROPERTY OF L-COM, INC. ANY REPRODUCTION IN PART OR WHOLE WITHOUT THE WRITTEN PERMISSION OF L-COM, INC. IS PROHIBITED.

REVISIONS			
REV	DESCRIPTION	DATE	APPROVED
A	INITIAL RELEASE	4/21/10	D.GRIFFIN

DESCRIPTION	MATERIAL	FINISH
BODY	BRASS	NICKEL PLATE
CENTER CONTACTS	BRASS	GOLD PLATE
INSULATOR	TFE	-
GASKET	RUBBER	-
RETAINING RING	BRASS	NICKEL PLATE



NOTES:

ELECTRICAL:
 IMPEDANCE: 50 OHMS
 FREQUENCY RANGE: DC ~ 11 GHz
 VOLTAGE RATING: 500 VOLTS PEAK
 DIELECTRIC WITHSTANDING VOLTAGE: 1000 VOLTS RMS

MISCELLANEOUS:
 COMPONENT SHALL BE INDIVIDUALLY PACKAGED IN ACCORDANCE WITH L-COM SPECIFICATION PS-0031.

ALL DIMENSIONS ARE FOR REFERENCE ONLY.

RoHS Compliant ✓

UNLESS OTHERWISE SPECIFIED, DIMENSIONS ARE IN INCHES [mm] DIMENSIONAL TOLERANCES: .X = ±.1 .XX = ±.01 .XXX = ±.005 ANGULAR TOLERANCES: ALL = ± 1° PROJECTION	APPROVALS	DATE		45 BEECHWOOD DRIVE NORTH ANDOVER, MA 01845
	DRAWN BY D.FRISIELLO	4/20/10		
	CHECKED BY K.BURGNER	4/20/10	CATEGORY	COAXIAL
	APPROVED BY K.BURGNER	4/20/10	PRODUCT DESCRIPTION	
	CONFIGURATION DETAILS OF UNDIMENSIONED FEATURES MAY VARY	ADAPTER, RP TNC PLUG/RP TNC PLUG		
	COLOR VARIATIONS MAY OCCUR	SIZE A	FSCM NO. 43321	DWG. NO. AXA-RTP RTP
		SCALE: NONE	CAD FILE: AXA-RTP RTP.SLDDRW	SHEET 1 OF 1