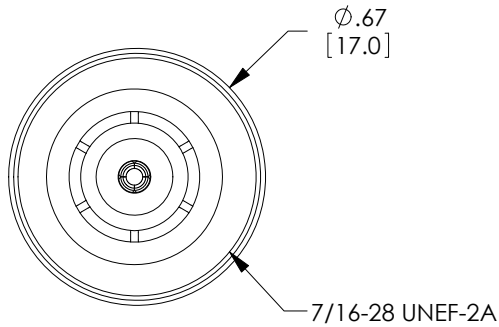


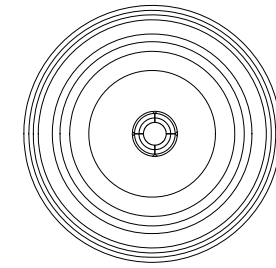
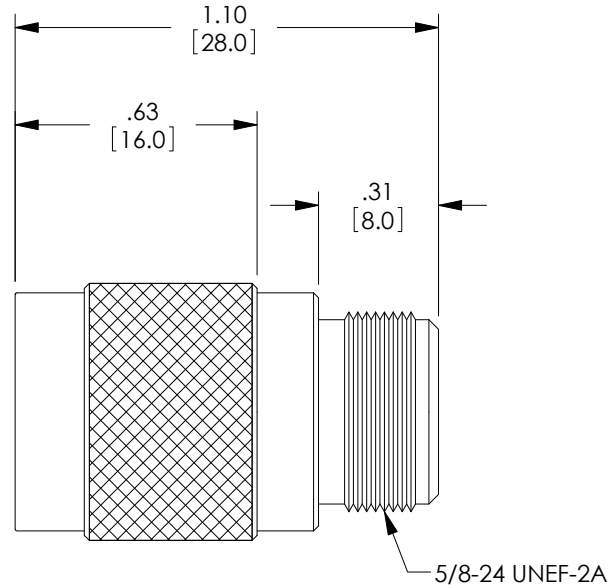
THE INFORMATION CONTAINED IN THIS DRAWING IS THE SOLE PROPERTY OF L-COM, INC. ANY REPRODUCTION IN PART OR WHOLE WITHOUT THE WRITTEN PERMISSION OF L-COM, INC. IS PROHIBITED.

REVISIONS			
REV	DESCRIPTION	DATE	APPROVED
A	INITIAL RELEASE	5/20/05	P.PESA
B	ECN 5813: RE-DESIGNED AND RE-DIMENSIONED, NEW FORMAT	11/3/11	D.FRISIELLO

DESCRIPTION	MATERIAL	FINISH
BODY	BRASS	NICKEL PLATE
DIELECTRIC	TEFLON	-
CENTER PIN	BRASS	GOLD PLATE
STAMP WASHER	BRASS	NICKEL PLATE
GASKET	RUBBER	-



REVERSE POLARITY  
TNC PLUG



TYPE N FEMALE  
JACK

NOTES:

IMPEDANCE: 50 OHMS  
 FREQUENCY RANGE: DC ~ 6 GHz  
 VOLTAGE RATING: 500 VOLTS PEAK  
 DIELECTRIC WITHSTANDING VOLTAGE: 1000 VOLTS RMS  
 INSERTION LOSS: .2 dB MAX.

ALL DIMENSIONS ARE FOR REFERENCE ONLY.

COMPONENT SHALL BE INDIVIDUALLY PACKAGED IN ACCORDANCE WITH L-COM SPECIFICATION PS-0031.

RoHS Compliant ✓

UNLESS OTHERWISE SPECIFIED, DIMENSIONS ARE IN INCHES [mm] OVERALL CABLE LENGTH TOLERANCE: ≤12 [305] = +1 [25] / -0 >12 [305] ≤60 [1524] = +2 [51] / -0 >60 [1524] ≤120 [3048] = +4 [102] / -0 >120 [3048] ≤300 [7620] = +6 [152] / -0 >300 [7620] = +3% / -0% ALL OTHER DIMENSIONAL TOLERANCES: .X = ± .2 .XX = ± .02 .XXX = ± .005	APPROVALS D.FRISIELLO	DATE 11/3/11	45 BEECHWOOD DRIVE NORTH ANDOVER, MA 01845	
	CHECKED BY K.BURGNER	DATE 11/3/11		CATEGORY COAXIAL
	APPROVED BY K.BURGNER	DATE 11/3/11	PRODUCT DESCRIPTION RP-TNC PLUG TO N FEMALE	REV. B
	PROJECTION 	CONFIGURATION DETAILS OF UNDIMENSIONED FEATURES MAY VARY	COLOR VARIATIONS MAY OCCUR	SIZE A

FSCM NO. <b>43321</b>	DWG. NO. <b>AXA-NFRTP2</b>
SCALE: NONE	CAD FILE: AXA-NFRTP2.SLDDRW
SHEET 1 OF 1	