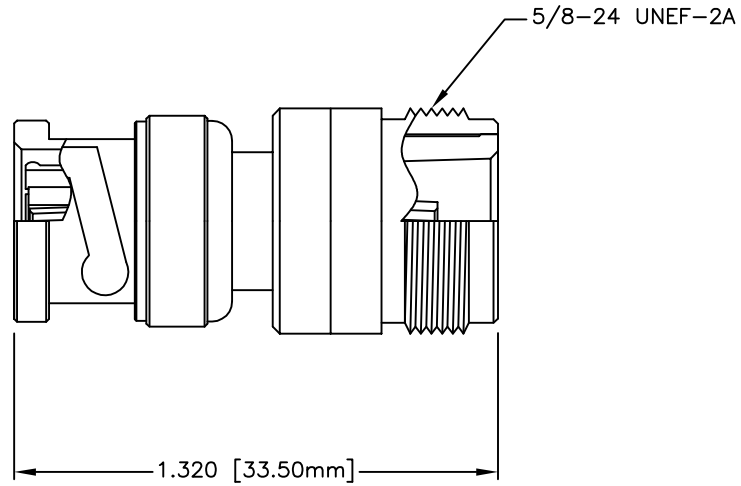


MATERIALS	
BODY	NICKEL PLATED BRASS
CONTACT	GOLD PLATED BRASS
INSULATOR	TEFLON



- NOTES:
1. UNLESS OTHERWISE SPECIFIED ALL DIMENSIONS ARE NOMINAL.
 2. ALL SPECIFICATIONS ARE SUBJECT TO CHANGE WITHOUT NOTICE AT ANY TIME.

				SIZE	TITLE:			
				A	Adapter: N-Female to RP-BNC-Plug			
-	-	-	-					
REV	ECN No.	DATE	DESCRIPTION		DRAWN BY	P. Pesa	05/08/03	DRAWING No.
				ORIGINATOR	P. Pesa	05/08/03	AXA-NFRBP	A
				APPROVAL	P. Pesa	05/08/03	PART No. AXA-NFRBP	
				SCALE 2:1	SHEET 1/1	MATERIAL Noted	FILE No. AXA-NFRBP	