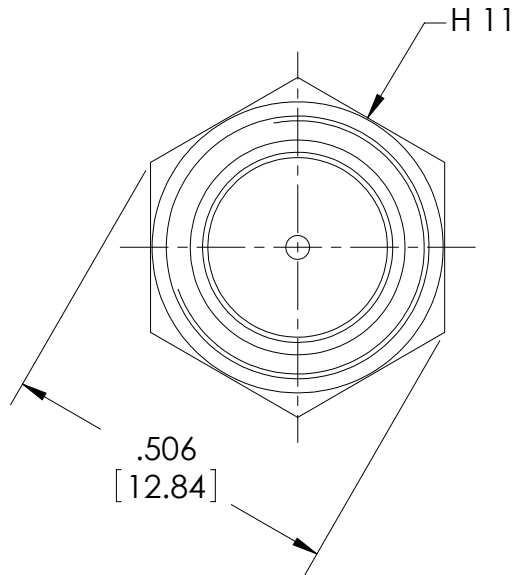


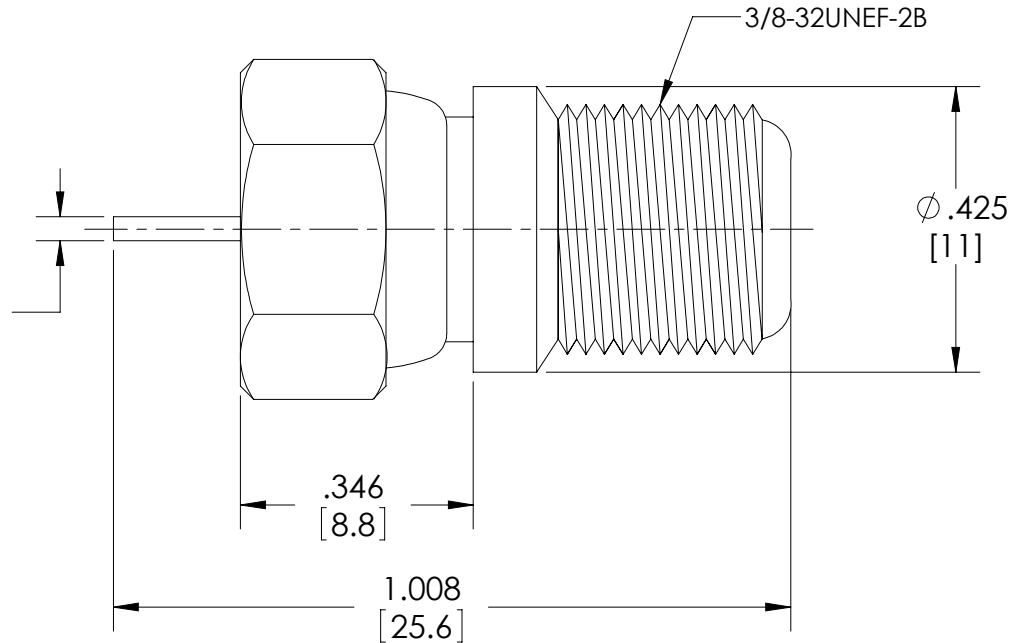
THE INFORMATION CONTAINED IN THIS DRAWING IS THE SOLE PROPERTY OF L-COM, INC. ANY REPRODUCTION IN PART OR WHOLE WITHOUT THE WRITTEN PERMISSION OF L-COM, INC. IS PROHIBITED.

REVISIONS			
REV	DESCRIPTION	DATE	APPROVED
A	Initial Release	01/14/10	B. Puchaski
B	ECN4915: 1.008 WAS .965. ADDED .035" DIM	07/22/10	DFP
C	ECN 4930: CHANGE CENTER PIN PLATING FROM NICKEL TO TIN	7/26/10	D.FRISIELLO

DESCRIPTION	MATERIAL	FINISH
PIN	BRASS	TIN
BODY	BRASS	NICKEL
FEMALE INSULATOR	PP	--
MALE INSULATOR	DELTRIN	--



ϕ .035
[0.90]



NOTES:

ELECTRICAL:
IMPEDANCE: 75 OHMS

MISCELLANEOUS:
COMPONENTS SHALL BE INDIVIDUALLY PACKAGED IN ACCORDANCE WITH L-COM SPECIFICATION PS-0031.

ALL DIMENSIONS ARE FOR REFERENCE ONLY.

RoHS Compliant

UNLESS OTHERWISE SPECIFIED, DIMENSIONS ARE IN INCHES [mm]	APPROVALS	DATE		45 BEECHWOOD DRIVE NORTH ANDOVER, MA 01845
	DRAWN BY B. Puchaski	01/14/10		
DIMENSIONAL TOLERANCES: .X = ±.1 .XX = ±.01 .XXX = ±.005	CHECKED BY M. Audas	01/14/10	CATEGORY CONNECTOR	
	APPROVED BY M. Audas	01/14/10	PRODUCT DESCRIPTION F MALE TO F FEMALE STRAIGHT ADAPTER	
ANGULAR TOLERANCES: ALL = ± 1°	CONFIGURATION DETAILS OF UNDIMENSIONED FEATURES MAY VARY		SIZE A	FSCM NO. 43321
PROJECTION 	COLOR VARIATIONS MAY OCCUR	DWG. NO. AXA-FMFF	REV. C	SCALE: NONE
			CAD FILE: AXA-FMFF.SLDDRW	SHEET 1 OF 1