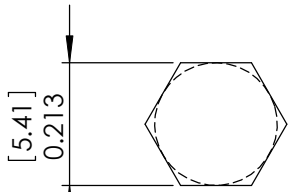
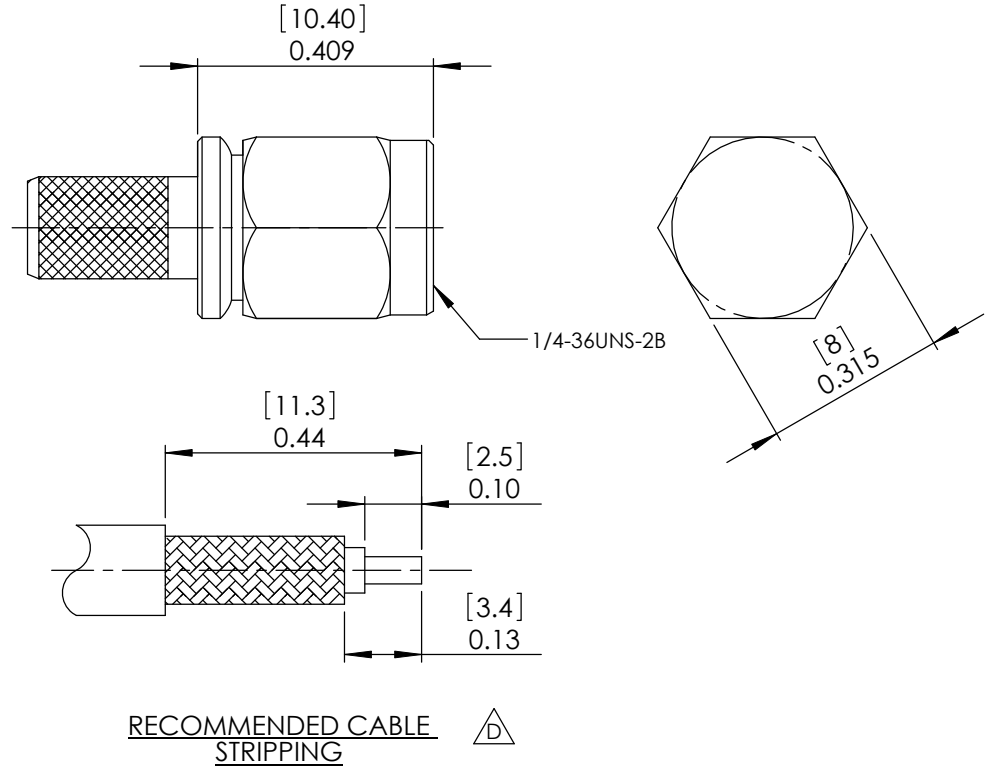
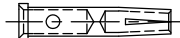
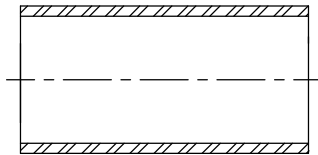


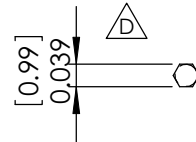
THE INFORMATION CONTAINED IN THIS DRAWING IS THE SOLE PROPERTY OF L-COM, INC. ANY REPRODUCTION IN PART OR WHOLE WITHOUT THE WRITTEN PERMISSION OF L-COM, INC. IS PROHIBITED.

REVISIONS			
REV	DESCRIPTION	DATE	APPROVED
A	INITIAL RELEASE	4/15/09	B.PUCHASKI
B	ECN 4293: UPDATED BODY AND STRIPPING DIMENSIONS	9/29/09	B.PUCHASKI
C	ECN 4355: UPDATED FORMAT AND TEXT	11/5/09	B.PUCHASKI
D	ECN 5909: REVISED PIN CRIMP TO .039, REVISED CBL STRIP TO xx PLACES	1/5/12	D.FRISIELLO

DESCRIPTION	MATERIAL	FINISH
CENTER CONTACTS	BRASS	GOLD
OUTER CONTACT	BRASS	NICKEL
COUPLING NUT	BRASS	NICKEL
CRIMP FERRULE	BRASS	NICKEL
GASKET	RUBBER	---
INSULATOR	TEFLON	---
RETAINING RING	BRASS	NICKEL



RECOMMENDED FERRULE CRIMP SIZE



RECOMMENDED PIN CRIMP SIZE

RECOMMENDED CABLE STRIPPING

NOTES:

ELECTRICAL:

IMPEDENCE: 50 OHMS
 WITHSTAND VOLTAGE: 2500V
 FREQUENCY RANGE: 0~6 GHz
 VSWR: <1.50 @ 0~6 GHz
 DURABILITY: ≥ 500 CYCLE
 CABLE RETENTION: > 40 POUNDS

MISCELLANEOUS:

COMPONENTS SHALL BE INDIVIDUALLY PACKAGED IN ACCORDANCE WITH L-COM SPECIFICATIONS PS-0031.

ALL DIMENSIONS ARE FOR REFERENCE ONLY.

RoHS Compliant

UNLESS OTHERWISE SPECIFIED, DIMENSIONS ARE IN INCHES [mm] OVERALL CABLE LENGTH TOLERANCE: ≤12 [305] = +1 [25] / -0 >12 [305] ≤60 [1524] = +2 [51] / -0 >60 [1524] ≤120 [3048] = +4 [102] / -0 >120 [3048] ≤300 [7620] = +6 [152] / -0 >300 [7620] = +3% / -0%	APPROVALS	DATE		45 BEECHWOOD DRIVE NORTH ANDOVER, MA 01845
	DRAWN BY B.PUCHASKI	9/29/09		
ALL OTHER DIMENSIONAL TOLERANCES: .X = ± .2 .XX = ± .02 .XXX = ± .005	CHECKED BY M.AUDAS	9/29/09	CATEGORY COAXIAL	
	APPROVED BY M.AUDAS	9/29/09	PRODUCT DESCRIPTION RP- SMA FEMALE CRIMP FOR RG58 / LMR195	
PROJECTION 	CONFIGURATION DETAILS OF UNDIMENSIONED FEATURES MAY VARY	COLOR VARIATIONS MAY OCCUR	SIZE A	FSCM NO. 43321
			DWG. NO. ARSP-1700	REV. D
			SCALE: NONE	CAD FILE: ARSP-1700.SLDDRW
				SHEET 1 OF 1