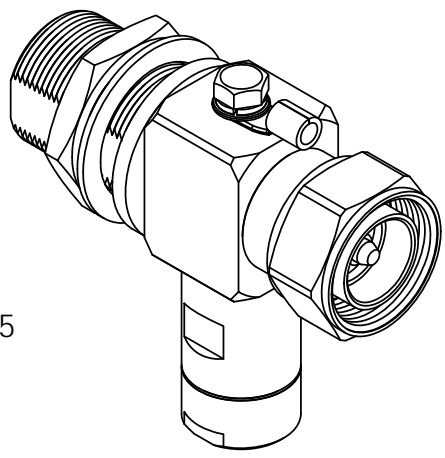
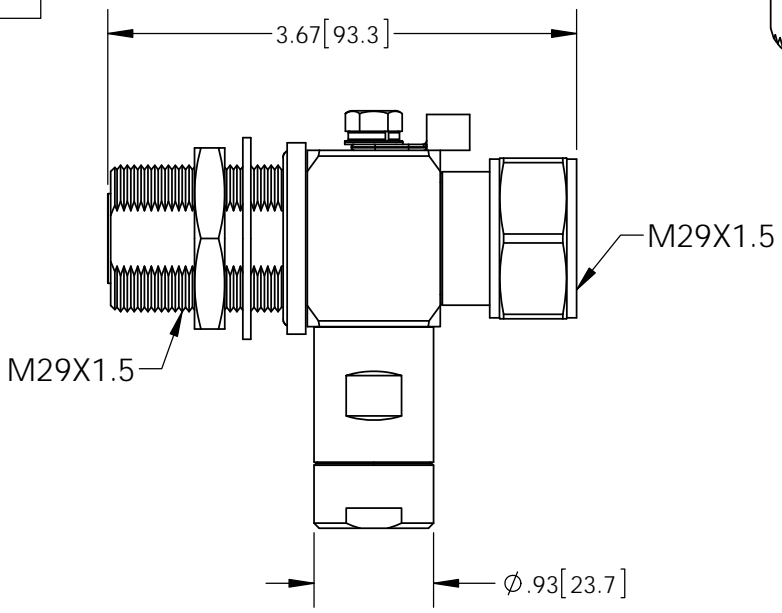
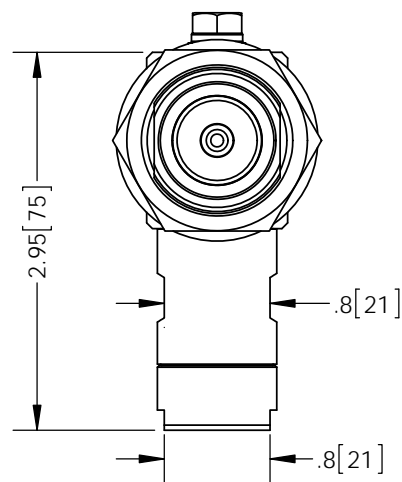


THE INFORMATION CONTAINED IN THIS DRAWING IS THE SOLE PROPERTY OF L-COM, INC. ANY REPRODUCTION IN PART OR WHOLE WITHOUT THE WRITTEN PERMISSION OF L-COM, INC. IS PROHIBITED.

REVISIONS			
REV	DESCRIPTION	DATE	APPROVED
A	INITIAL RELEASE	10/28/15	D.GRIFFIN

DESCRIPTION	MATERIAL	FINISH
SHELL-BODY	NON-MAGNETIC	CuSnZn3
CONDUCTOR	PHOSPHOR BRONZE	GOLD/CuSnZn3
NUT	BRASS	NICKEL
INSULATOR	TEFLON	---
O-RING	SILICONE RUBBER	---



**NOTES:**

**ELECTRICAL:**  
 IMPEDANCE: 50 OHM  
 FREQUENCY RANGE: 800 ~ 2,250 MHz  
 VSWR:  $\leq 1.2$   
 PASSIVE INTERMODULATION (PIM):  $\leq -150\text{dBc}$   
 DIELECTRIC WITHSTANDING VOLTAGE: 4000V (RMS)  
 INSULATION RESISTANCE:  $\geq 10,000$  OHM  
 CONTACT RESISTANCE:  
     CENTER CONTACT:  $\leq 0.4\text{m OHM}$   
     OUTER CONTACT:  $\leq 1.5\text{m OHM}$   
 INSERTION LOSS:  $\leq 0.2\text{dB}$

**MECHANICAL:**  
 DURABILITY:  $\geq 500$   
 TEMPERATURE RANGE:  $-40^\circ\text{C}$  TO  $+85^\circ\text{C}$

**PACKAGING:**  
 COMPONENT SHALL BE INDIVIDUALLY PACKAGED IN ACCORDANCE WITH L-COM SPECIFICATION PKG-00012

**REGULATORY COMPLIANCE:**  
 CE2011/65/EU (ROHS DIRECTIVE)

UNLESS OTHERWISE SPECIFIED, DIMENSIONS ARE IN INCHES [mm]	APPROVALS	DATE	45 BEECHWOOD DRIVE NORTH ANDOVER, MA 01845
	DRAWN BY B. PUCHASKI	09/30/15	
DIMENSIONAL TOLERANCES: .X = $\pm 0.1$ [2.54] .XX = $\pm 0.01$ [0.25] .XXX = $\pm 0.005$ [0.13]	CHECKED BY K. BURGNER	09/30/15	CATEGORY <b>LIGHTNING PROTECTOR</b>
	APPROVED BY P. PESA	09/30/15	
ANGULAR TOLERANCES: ALL = $\pm 1^\circ$	CONFIGURATION DETAILS OF UNDIMENSIONED FEATURES MAY VARY		PRODUCT DESCRIPTION 7/16 DIN MALE TO 7/16 DIN FEMALE BULKHEAD PIM RATED LIGHTNING PROTECTOR
PROJECTION 	COLOR VARIATIONS MAY OCCUR	SIZE <b>A</b>	FSCM NO. <b>43321</b>
		DWG. NO. <b>ALOP-DMDFB</b>	REV. <b>A</b>
		SCALE: NONE	CAD FILE: ALOP-DMDFB.SLDDRW
		SHEET 1 OF 1	