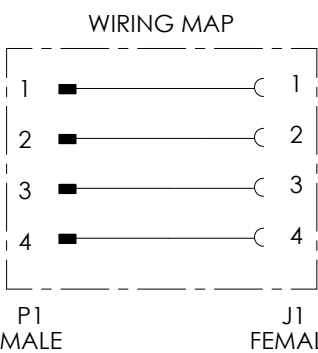
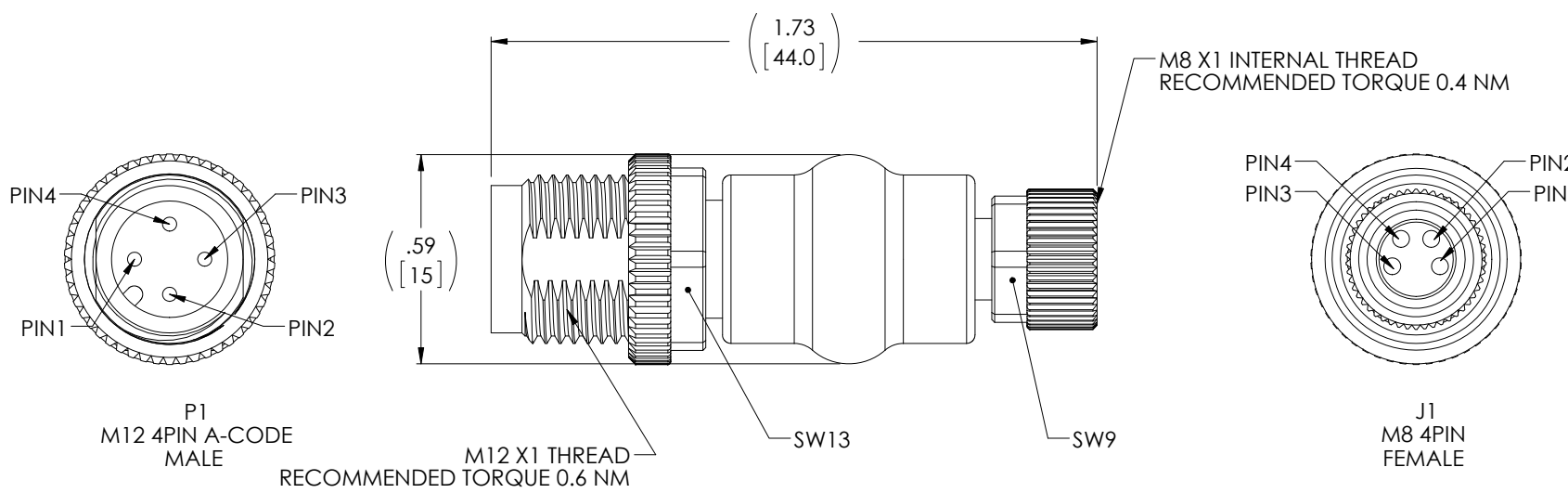


THE INFORMATION CONTAINED IN THIS DRAWING IS THE SOLE PROPERTY OF L-COM, INC. ANY REPRODUCTION IN PART OR WHOLE WITHOUT THE WRITTEN PERMISSION OF L-COM, INC. IS PROHIBITED.

REVISIONS			
REV	DESCRIPTION	DATE	APPROVED
A	INITIAL RELEASE PER DUSTIN GUTTADAURO	04/03/17	J.LABOY



- NOTES:**
- MECHANICAL DATA**
- HOUSING: M12 MALE, 4 POLE TO M8 FEMALE, 4 POLE
 - MATERIAL: PUR, ZINC DIE CASTING, MATTE NICKEL PLATED
 - PROTECTION: I P67 (WHEN MATED AND TIGHTENED, EN60529)
 - TEMP RANGE: -25°C TO +85°C

- MISCELLANEOUS**
- NOMINAL VOLTAGE: MAX 30V AC/DC
 - RATED CURRENT: MAX 4A PER CONTACT
 - MATERIAL GROUP: IEC60664-1, CATEGORY I

REGULATORY COMPLIANCE:
CE 2011/65/EU (ROHS DIRECTIVE)

UNLESS OTHERWISE SPECIFIED, DIMENSIONS ARE IN INCHES [mm] OVERALL CABLE LENGTH TOLERANCE: ≤12 [305] = +1 [25] / -0 >12 [305] ≤60 [1524] = +2 [51] / -0 >60 [1524] ≤120 [3048] = +4 [102] / -0 >120 [3048] ≤300 [7620] = +6 [152] / -0 >300 [7620] = +5% / -0% ALL OTHER DIMENSIONAL TOLERANCES: .X = ±.2 [5.08] .XX = ±.02 [5.1] .XXX = ±.005 [1.3]	APPROVALS D.CUI CHECKED BY B.ZHANG APPROVED BY S.PAN	DATE 03/31/17 03/31/17 03/31/17	50 HIGH STREET NORTH ANDOVER, MA 01845			
	CONFIGURATION DETAILS OF UNDIMENSIONED FEATURES MAY VARY			CATEGORY TELECOM/MODULAR		
	PROJECTION 	COLOR VARIATIONS MAY OCCUR	SIZE A	FSCM NO. 43321	DWG. NO. ADPT-M124AM-M84F	REV. A
	SCALE: NONE		CAD FILE: ADPT-M124AM-M84F.SLDDRW		SHEET 1 OF 1	