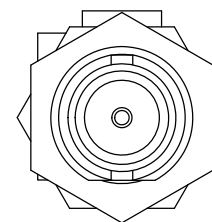
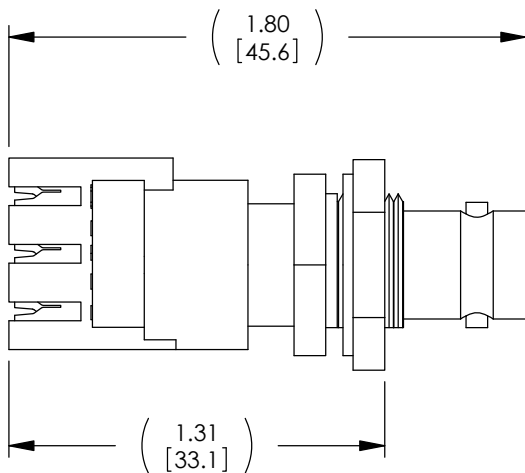
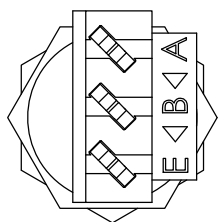
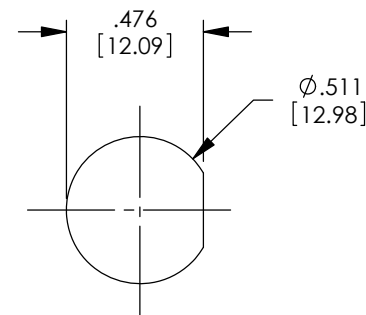
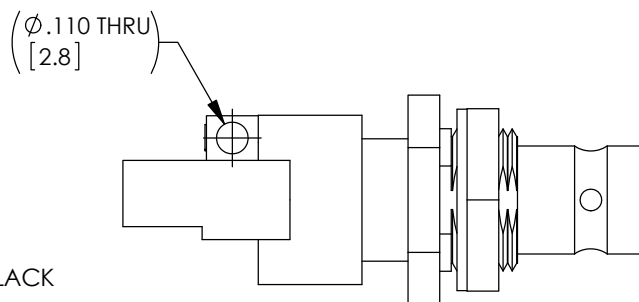


THE INFORMATION CONTAINED IN THIS DRAWING IS THE SOLE PROPERTY OF L-COM, INC. ANY REPRODUCTION IN PART OR WHOLE WITHOUT THE WRITTEN PERMISSION OF L-COM, INC. IS PROHIBITED.

REVISIONS			
REV	DESCRIPTION	DATE	APPROVED
A	DRAWING REPLACES ACK9010-OD1	7/2/14	D.FRISIELLO



BNC JACK



RECOMMENDED
PANEL OPENING

SPECIFICATIONS;

MATERIALS;

BODY: BRASS
 INNER CONTACT: PHOSPHORUS BRONZE
 INSULATOR: PTFE
 OUTER SLEEVE & BASE MOLDING: NORYL, BLACK
 IDC MOLDING: POLYESTER, WHITE

FINISH;

BODY: NICKEL PLATE
 CONTACT: GOLD PLATE
 IDC CONTACTS: SILVER PLATE

ELECTRICAL;

CHARACTERISTIC IMPEDANCE: 75 OHM UNBALANCED
 COAXIAL TO 120 OHM BALANCED TWISTED PAIR

ENVIRONMENTAL;

OPERATING TEMPERATURE RANGE: -30°C TO 75°C

APPLICATION NOTES:

0.015" TO 0.026" CONDUCTOR DIAMETER, INSULATION
 DIAMETER 0.028" TO 0.56"

PACKAGING:

CABLE ASSEMBLY SHALL BE INDIVIDUALLY PACKAGED IN
 ACCORDANCE WITH L-COM SPECIFICATION PS-0031.

REGULATORY COMPLIANCE:

CE2011/65/EU(ROHS DIRECTIVE)

UNLESS OTHERWISE SPECIFIED, DIMENSIONS ARE IN INCHES [mm] OVERALL CABLE LENGTH TOLERANCE: ≤12 [305] = +1 [25] / -0 >12 [305] ≤60 [1524] = +2 [51] / -0 >60 [1524] ≤120 [3048] = +4 [102] / -0 >120 [3048] ≤300 [7620] = +6 [152] / -0 >300 [7620] = +5% / -0% ALL OTHER DIMENSIONAL TOLERANCES: .X = ±.2 [5.08] .XX = ±.02 [51] .XXX = ±.005 [13]	APPROVALS DRAWN BY C.MCCORMICK CHECKED BY D.PARHAM APPROVED BY R.CARRICK	DATE 04/10/2003 04/10/2003 04/10/2003	45 BEECHWOOD DRIVE NORTH ANDOVER, MA 01845		
	CONFIGURATION DETAILS OF UNDIMENSIONED FEATURES MAY VARY	CATEGORY COAXIAL			
PROJECTION 	COLOR VARIATIONS MAY OCCUR	SIZE A	FSCM NO. 43321	DWG. NO. ACK9010	REV. A
SCALE: NONE		CAD FILE: ACK9010.SLDDRW		SHEET 1 OF 1	